

# HDPE MOLDED FITTINGS CATALOG



---

# **STRONGBRIDGE**

---

[WWW.STRONGBRIDGE.US](http://WWW.STRONGBRIDGE.US)

***DISTRIBUTED IN CANADA BY:***



**ENGINEERED  
PIPE GROUP**

**HDPE.CA**

**e: HDPESales@hdpe.ca**

## Table of Contents

SDR 7 EQUAL TEES IPS.....	5
SDR 9 EQUAL TEES IPS.....	6
SDR 11 EQUAL TEES IPS.....	7
SDR 17 EQUAL TEES IPS.....	8
SDR 9 EQUAL TEES DIPS.....	9
SDR 11 EQUAL TEES DIPS.....	10
SDR 17 EQUAL TEES DIPS.....	11
SDR 7 REDUCING TEES IPS.....	12
SDR 9 REDUCING TEES IPS.....	13
SDR 11 REDUCING TEES IPS.....	14
SDR 11 REDUCING TEES DIPS.....	15
SDR 17 REDUCING TEES IPS.....	16
SDR 7 REDUCERS IPS.....	17
SDR 9 REDUCERS IPS.....	18
SDR 11 REDUCERS IPS.....	19
SDR 17 REDUCERS IPS.....	20
SDR 9 REDUCERS DIPS.....	21
SDR 11 REDUCERS DIPS.....	22
SDR 17 REDUCERS DIPS.....	23
SDR 7 90° ELBOWS IPS/DIPS.....	24
SDR 9 90° ELBOWS IPS/DIPS.....	25
SDR 11 90° ELBOWS IPS/DIPS.....	26
SDR 17 90° ELBOWS IPS/DIPS.....	27
SDR 7 45° ELBOWS IPS/DIPS.....	28
SDR 9 45° ELBOWS IPS/DIPS.....	29
SDR 11 45° ELBOWS IPS/DIPS.....	30
SDR 17 45° ELBOWS IPS/DIPS.....	31
SDR 9 END CAPS.....	32

SDR 11 END CAPS ..... 33

SDR 17 END CAPS ..... 34

SDR 7 FLANGE ADAPTERS IPS..... 35

## Table of Contents

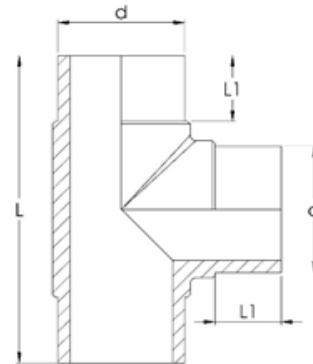
SDR 9 FLANGE ADAPTERS IPS/DIPS.....	37
SDR 11 FLANGE ADAPTERS IPS/DIPS.....	38
SDR 17 FLANGE ADAPTERS IPS/DIPS.....	40
SDR 9 MJ ADAPTERS DIPS/IPS.....	42
SDR 9 MJ ADAPTERS DIPS/DIPS .....	43
SDR 11 MJ ADAPTERS DIPS/IPS.....	44
SDR 11 MJ ADAPTERS DIPS/DIPS .....	45
SDR 9 MJ ADAPTERS DIPS/IPS (with stiffener).....	46
SDR 9 MJ ADAPTERS DIPS/DIPS (with stiffener) .....	47
SDR 11 MJ ADAPTERS DIPS/IPS (with stiffener).....	48
SDR 11 MJ ADAPTERS DIPS/DIPS (with stiffener) .....	49
C110 MJ ADAPTER ACCESSORY SET.....	50
C153 MJ ADAPTER ACCESSORY SET.....	51
SDR 11 LATERAL WYES.....	52
BACK-UP RINGS .....	53
STANDARDS & CERTS REFERENCE CHART.....	55

## SDR 7 EQUAL TEES IPS SDR 7 EQUAL TEES IPS

- Water - 335 PSI at 73° F Sustainable Maximum Operating Pressure  
 Gas - 125 PSI at 73° F Sustainable Maximum Operating Pressure
- Suitable for Water, Fluids & Slurries
  - Engineered for PE100, PE80, & PE4710, PE3408 HDPE Pipe Systems
  - Engineered for PE100, PE80, PE4710, PE3408 HDPE Pipe Systems



Manufactured in accordance with: ASTM D2513-20, ASTM D3035-22, ASTM D3261-16, ASTM D3350-21, AWWA C906-15, NSF/ANSI/CAN 61-2022, and ISO-9001 Certified



Nominal Size	Actual Size (d)	Norm	(L1)	(L)	Weight (lbs.)	Part Number
2"	2.38	IPS	2.67	9.67	1.15	02-BET-2600051 } Coming soon
3"	3.50	IPS	3.31	11.97	2.99	02-BET-2600052 } Coming soon
4"	4.50	IPS	3.42	14.16	5.71	02-BET-2600053 } Coming soon
6"	6.63	IPS	4.05	17.70	15.04	02-BET-2600054 } Coming soon
8"	8.63	IPS	4.61	20.08	29.29	02-BET-2600055 } Coming soon
10"	10.75	IPS	5.70	25.98	63.43	02-BET-2600056 } Coming soon
12"	12.75	IPS	6.49	29.72	100.80	02-BET-2600057 } Coming soon

} Coming soon

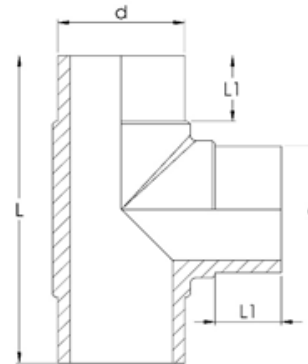
## SDR 9 EQUAL TEES IPS

Water - 250 PSI at 73° F Sustainable Maximum Operating Pressure  
 Gas - 125 PSI at 73° F Sustainable Maximum Operating Pressure

- Suitable for Water, Fluids & Slurries
- Engineered for PE100, PE80, PE4710, PE3408 HDPE Pipe Systems



Manufactured in accordance with: ASTM D2513-20, ASTM D3035-22, ASTM D3261-16, ASTM D3350-21, AWWA C906-15, NSF/ANSI/CAN 61-2022, and ISO-9001 Certified



Nominal Size	Actual Size (d)	Norm	(L1)	(L)	Weight (lbs.)	Part Number
2"	2.38	IPS	2.67	9.67	0.95	02-BET-2600027 }
3"	3.50	IPS	3.31	11.97	2.47	02-BET-2600028 }
4"	4.50	IPS	3.42	14.16	4.68	02-BET-2600029 }
6"	6.63	IPS	4.05	17.70	12.31	02-BET-2600030 }
8"	8.63	IPS	4.61	20.08	24.15	02-BET-2600031 }
10"	10.75	IPS	5.70	25.98	52.86	02-BET-2600032 }
12"	12.75	IPS	6.49	29.72	83.94	02-BET-2600033 }

} Coming soon

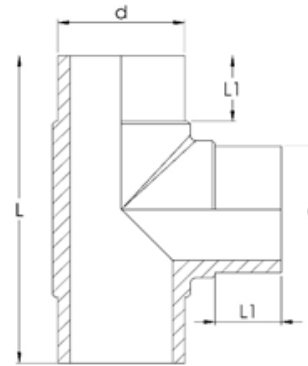
## SDR 11 EQUAL TEES IPS

Water - 200 PSI at 73° F Sustainable Maximum Operating Pressure  
 Gas - 100 PSI at 73° F Sustainable Maximum Operating Pressure

- Suitable for Water, Fluids & Slurries
- Engineered for PE100, PE80, PE4710, PE3408 HDPE Pipe Systems



Manufactured in accordance with: ASTM D2513-20, ASTM D3035-22, ASTM D3261-16, ASTM D3350-21, AWWA C906-15, NSF/ANSI/CAN 61-2022, and ISO-9001 Certified



Nominal Size	Actual Size (d)	Norm	(L1)	(L)	Weight (lbs.)	Part Number
2"	2.38	IPS	2.67	9.67	0.82	02-BET-2600001
3"	3.50	IPS	3.31	11.97	2.11	02-BET-2600002
4"	4.50	IPS	3.42	14.16	3.98	02-BET-2600003
6"	6.63	IPS	4.05	17.70	10.46	02-BET-2600004
8"	8.63	IPS	4.61	20.08	20.65	02-BET-2600005
10"	10.75	IPS	5.70	25.98	45.71	02-BET-2600006
12"	12.75	IPS	6.49	29.72	72.51	02-BET-2600007

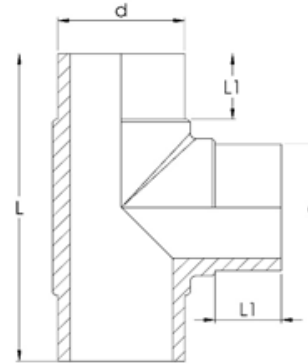
## SDR 17 EQUAL TEES IPS

Water - 125 PSI at 73° F Sustainable Maximum Operating Pressure  
 Gas - 64 PSI at 73° F Sustainable Maximum Operating Pressure

- Suitable for Water, Fluids & Slurries
- Engineered for PE100, PE80, PE4710, PE3408 HDPE Pipe Systems



Manufactured in accordance with: ASTM D2513-20, ASTM D3035-22, ASTM D3261-16, ASTM D3350-21, AWWA C906-15, NSF/ANSI/CAN 61-2022, and ISO-9001 Certified



Nominal Size	Actual Size (d)	Norm	(L1)	(L)	Weight (lbs.)	Part Number
2"	2.38	IPS	2.67	9.67	0.59	02-BET-2600013
3"	3.50	IPS	3.31	11.97	1.49	02-BET-2600014
4"	4.50	IPS	3.42	14.16	2.8	02-BET-2600015
6"	6.63	IPS	4.05	17.7	7.35	02-BET-2600016
8"	8.63	IPS	4.61	20.08	14.79	02-BET-2600017
10"	10.75	IPS	5.70	25.98	33.75	02-BET-2600018
12"	12.75	IPS	6.49	29.72	53.36	02-BET-2600019

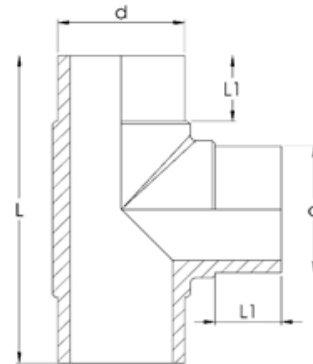
## SDR 9 EQUAL TEES DIPS

Water - 250 PSI at 73° F Sustainable Maximum Operating Pressure  
 Gas - 125 PSI at 73° F Sustainable Maximum Operating Pressure

- Suitable for Water, Fluids & Slurries
- Engineered for PE100, PE80, PE4710, PE3408 HDPE Pipe Systems



Manufactured in accordance with: ASTM D2513-20, ASTM D3035-22, ASTM D3261-16, ASTM D3350-21, AWWA C906-15, NSF/ANSI/CAN 61-2022, and ISO-9001 Certified



Nominal Size	Actual Size (d)	Norm	(L1)	(L)	Weight (lbs.)	Part Number
4"	4.80	DIPS	3.54	13.98	5.73	03-BET-2600034 } Coming soon
6"	6.90	DIPS	3.03	16.54	14.38	03-BET-2600035 } Coming soon

} Coming soon

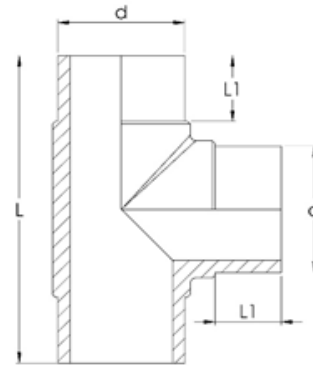
## SDR 11 EQUAL TEES DIPS

Water - 200 PSI at 73° F Sustainable Maximum Operating Pressure  
 Gas - 100 PSI at 73° F Sustainable Maximum Operating Pressure

- Suitable for Water, Fluids & Slurries
- Engineered for PE100, PE80, PE4710, PE3408 HDPE Pipe Systems



Manufactured in accordance with: ASTM D2513-20, ASTM D3035-22, ASTM D3261-16, ASTM D3350-21, AWWA C906-15, NSF/ANSI/CAN 61-2022, and ISO-9001 Certified



Nominal Size	Actual Size (d)	Norm	(L1)	(L)	Weight (lbs.)	Part Number
4"	4.80	DIPS	3.54	13.98	4.96	02-BET-2600008
6"	6.90	DIPS	3.03	16.54	12.56	02-BET-2600009
8"	9.05	DIPS	4.61	20.08	20.21	02-BET-2600010
10"	11.10	DIPS	5.70	25.98	44.72	02-BET-2600011
12"	13.20	DIPS	6.49	29.72	70.84	02-BET-2600012

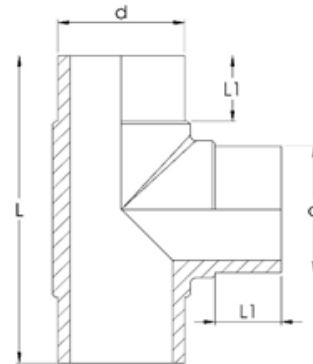
## SDR 17 EQUAL TEES DIPS

Water - 125 PSI at 73° F Sustainable Maximum Operating Pressure  
 Gas - 64 PSI at 73° F Sustainable Maximum Operating Pressure

- Suitable for Water, Fluids & Slurries
- Engineered for PE100, PE80, PE4710, PE3408 HDPE Pipe Systems



Manufactured in accordance with: ASTM D2513-20, ASTM D3035-22, ASTM D3261-16, ASTM D3350-21, AWWA C906-15, NSF/ANSI/CAN 61-2022, and ISO-9001 Certified



Nominal Size	Actual Size (d)	Norm	(L1)	(L)	Weight (lbs.)	Part Number
4"	4.80	DIPS	3.54	13.98	3.67	02-BET-2600024
6"	6.90	DIPS	3.03	16.54	9.40	02-BET-2600020
8"	9.05	DIPS	4.61	20.08	13.78	02-BET-2600021
10"	11.10	DIPS	5.70	25.98	32.04	02-BET-2600022
12"	13.20	DIPS	6.49	29.72	50.43	02-BET-2600023

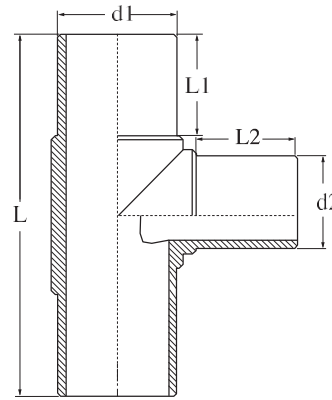
## SDR 7 REDUCING TEES IPS

Water - 335 PSI at 73° F Sustainable Maximum Operating Pressure  
 Gas - 100 PSI at 73° F Sustainable Maximum Operating Pressure

- Suitable for Water, Fluids & Slurries
- Engineered for PE100, PE80, PE4710, PE3408 HDPE Pipe Systems



Manufactured in accordance with: ASTM D2513-20, ASTM D3035-22, ASTM D3261-16, ASTM D3350-21, AWWA C906-15, NSF/ANSI/CAN 61-2022, and ISO-9001 Certified



Nominal Size	Actual Size (d1 x d2)	Norm	(L1)	(L2)	(L)	Weight (lbs.)	Part Number
3" x 2"	3.50 x 2.38	IPS	3.31	2.68	11.97	2.54	02-BRT-2601068
4" x 2"	4.50 x 2.38	IPS	3.43	2.68	14.16	4.63	02-BRT-2601069
4" x 3"	4.50 x 3.50	IPS	3.43	3.31	14.16	5.05	02-BRT-2601070
6" x 2"	6.63 x 2.38	IPS	4.06	2.68	17.70	12.04	02-BRT-2601071
6" x 3"	6.63 x 3.50	IPS	4.06	3.31	17.70	12.41	02-BRT-2601072
6" x 4"	6.63 x 4.50	IPS	4.06	3.43	17.70	13.00	02-BRT-2601073
8" x 2"	8.63 x 2.38	IPS	4.61	2.68	20.08	24.08	02-BRT-2601074 } 02-BRT-2601075 }
8" x 3"	8.63 x 3.50	IPS	4.61	3.31	20.08	24.39	02-BRT-2601075 }
8" x 4"	8.63 x 4.50	IPS	4.61	3.43	20.08	24.75	02-BRT-2601076 }
8" x 6"	8.63 x 6.63	IPS	4.61	4.06	20.08	26.24	02-BRT-2601077 }
10" x 4"	10.75 x 4.50	IPS	5.71	3.43	25.98	52.12	02-BRT-2601078 }
10" x 6"	10.75 x 6.63	IPS	5.71	4.06	25.98	53.72	02-BRT-2601079 }
10" x 8"	10.75 x 8.63	IPS	5.71	4.92	25.98	56.96	02-BRT-2601080 }
12" x 6"	12.75 x 6.63	IPS	6.50	4.06	29.72	87.68	02-BRT-2601081 }
12" x 8"	12.75 x 8.63	IPS	6.50	4.92	29.72	92.27	02-BRT-2601082 }
12" x 10"	12.75 x 10.75	IPS	6.50	5.71	29.72	97.51	02-BRT-2601083 }

} Coming soon

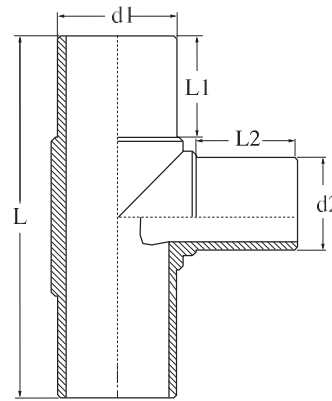
## SDR 9 REDUCING TEES IPS

Water - 250 PSI at 73° F Sustainable Maximum Operating Pressure  
 Gas - 100 PSI at 73° F Sustainable Maximum Operating Pressure

- Suitable for Water, Fluids & Slurries
- Engineered for PE100, PE80, PE4710, PE3408 HDPE Pipe Systems



Manufactured in accordance with: ASTM D2513-20, ASTM D3035-22, ASTM D3261-16, ASTM D3350-21, AWWA C906-15, NSF/ANSI/CAN 61-2022, and ISO-9001 Certified



Nominal Size	Actual Size (d1 x d2)	Norm	(L1)	(L2)	(L)	Weight (lbs.)	Part Number
3" x 2"	3.50 x 2.38	IPS	3.31	2.68	11.97	2.10	02-BRT-2601036
4" x 2"	4.50 x 2.38	IPS	3.43	2.68	14.16	3.82	02-BRT-2601037
4" x 3"	4.50 x 3.50	IPS	3.43	3.31	14.16	4.15	02-BRT-2601038
6" x 2"	6.63 x 2.38	IPS	4.06	2.68	17.70	9.93	02-BRT-2601039
6" x 3"	6.63 x 3.50	IPS	4.06	3.31	17.70	10.22	02-BRT-2601040
6" x 4"	6.63 x 4.50	IPS	4.06	3.43	17.70	10.68	02-BRT-2601041
8" x 2"	8.63 x 2.38	IPS	4.61	2.68	20.08	20.08	02-BRT-2601042 } Coming soon
8" x 3"	8.63 x 3.50	IPS	4.61	3.31	20.08	20.31	02-BRT-2601043 } Coming soon
8" x 4"	8.63 x 4.50	IPS	4.61	3.43	20.08	20.56	02-BRT-2601044 } Coming soon
8" x 6"	8.63 x 6.63	IPS	4.61	4.06	20.08	21.70	02-BRT-2601045 } Coming soon
10" x 4"	10.75 x 4.50	IPS	5.71	3.43	25.98	43.85	02-BRT-2601046 } Coming soon
10" x 6"	10.75 x 6.63	IPS	5.71	4.06	25.98	45.02	02-BRT-2601047 } Coming soon
10" x 8"	10.75 x 8.63	IPS	5.71	4.92	25.98	47.54	02-BRT-2601048 } Coming soon
12" x 6"	12.75 x 6.63	IPS	6.50	4.06	29.72	74.19	02-BRT-2601049 } Coming soon
12" x 8"	12.75 x 8.63	IPS	6.50	4.92	29.72	78.03	02-BRT-2601050 } Coming soon
12" x 10"	12.75 x 10.75	IPS	6.50	5.71	29.72	82.16	02-BRT-2601051 } Coming soon

} Coming soon

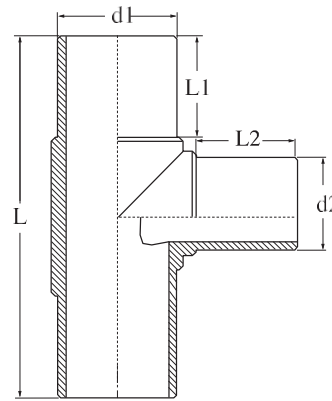
## SDR 11 REDUCING TEES IPS

Water - 200 PSI at 73° F Sustainable Maximum Operating Pressure  
 Gas - 100 PSI at 73° F Sustainable Maximum Operating Pressure

- Suitable for Water, Fluids & Slurries
- Engineered for PE100, PE80, PE4710, PE3408 HDPE Pipe Systems



Manufactured in accordance with: ASTM D2513-20, ASTM D3035-22, ASTM D3261-16, ASTM D3350-21, AWWA C906-15, NSF/ANSI/CAN 61-2022, and ISO-9001 Certified



Nominal Size	Actual Size (d1 x d2)	Norm	(L1)	(L2)	(L)	Weight (lbs.)	Part Number
3" x 2"	3.50 x 2.38	IPS	3.31	2.68	11.97	1.80	02-BRT-2601001
4" x 2"	4.50 x 2.38	IPS	3.43	2.68	14.16	3.26	02-BRT-2601002
4" x 3"	4.50 x 3.50	IPS	3.43	3.31	14.16	3.54	02-BRT-2601003
6" x 2"	6.63 x 2.38	IPS	4.06	2.68	17.70	8.48	02-BRT-2601004
6" x 3"	6.63 x 3.50	IPS	4.06	3.31	17.70	8.72	02-BRT-2601005
6" x 4"	6.63 x 4.50	IPS	4.06	3.43	17.70	9.10	02-BRT-2601006
8" x 2"	8.63 x 2.38	IPS	4.61	2.68	20.08	17.32	02-BRT-2601007
8" x 3"	8.63 x 3.50	IPS	4.61	3.31	20.08	17.50	02-BRT-2601008
8" x 4"	8.63 x 4.50	IPS	4.61	3.43	20.08	17.70	02-BRT-2601009
8" x 6"	8.63 x 6.63	IPS	4.61	4.06	20.08	18.60	02-BRT-2601010
10" x 4"	10.75 x 4.50	IPS	5.71	3.43	25.98	38.20	02-BRT-2601011
10" x 6"	10.75 x 6.63	IPS	5.71	4.06	25.98	39.11	02-BRT-2601012
10" x 8"	10.75 x 8.63	IPS	5.71	4.92	25.98	41.15	02-BRT-2601013
12" x 6"	12.75 x 6.63	IPS	6.50	4.06	29.72	64.98	02-BRT-2601014
12" x 8"	12.75 x 8.63	IPS	6.50	4.92	29.72	68.33	02-BRT-2601015
12" x 10"	12.75 x 10.75	IPS	6.50	5.71	29.72	71.74	02-BRT-2601031

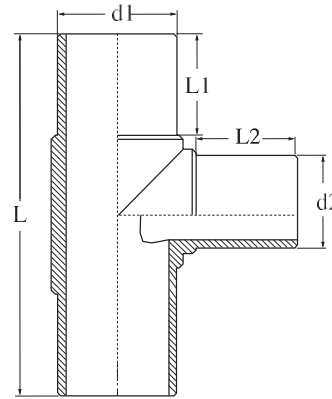
## SDR 11 REDUCING TEES DIPS

Water - 200 PSI at 73° F Sustainable Maximum Operating Pressure  
 Gas - 100 PSI at 73° F Sustainable Maximum Operating Pressure

- Suitable for Water, Fluids & Slurries
- Engineered for PE100, PE80, PE4710, PE3408 HDPE Pipe Systems



**Manufactured in accordance with:** ASTM D2513-20, ASTM D3035-22, ASTM D3261-16, ASTM D3350-21, AWWA C906-15, NSF/ANSI/CAN 61-2022, and ISO-9001 Certified



Nominal Size	Actual Size (d1 x d2)	Norm	(L1)	(L2)	(L)	Weight (lbs.)	Part Number
8" x 6"	9.05 x 6.90	DIPS	4.72	4.13	20.00	18.60	02-BRT-2601084

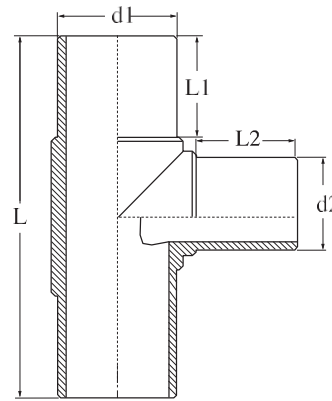
## SDR 17 REDUCING TEES IPS

Water - 125 PSI at 73° Deg F Sustainable Maximum Operating Pressure  
 Gas - 64 PSI at 73° Deg F Sustainable Maximum Operating Pressure

- Suitable for Water, Fluids & Slurries
- Engineered for PE100, PE80, PE4710, PE3408 HDPE Pipe Systems



Manufactured in accordance with: ASTM D2513-20, ASTM D3035-22, ASTM D3261-16, ASTM D3350-21, AWWA C906-15, NSF/ANSI/CAN 61-2022, and ISO-9001 Certified



Nominal Size	Actual Size (d1 x d2)	Norm	(L1)	(L2)	(L)	Weight (lbs.)	Part Number
3" x 2"	3.50 x 2.38	IPS	3.31	2.68	11.97	1.29	02-BRT-2601016
4" x 2"	4.50 x 2.38	IPS	3.43	2.68	14.16	2.32	02-BRT-2601017
4" x 3"	4.50 x 3.50	IPS	3.43	3.31	14.16	2.49	02-BRT-2601018
6" x 2"	6.63 x 2.38	IPS	4.06	2.68	17.70	6.04	02-BRT-2601019
6" x 3"	6.63 x 3.50	IPS	4.06	3.31	17.70	6.19	02-BRT-2601020
6" x 4"	6.63 x 4.50	IPS	4.06	3.43	17.70	6.44	02-BRT-2601021
8" x 2"	8.63 x 2.38	IPS	4.61	2.68	20.08	12.66	02-BRT-2601022
8" x 3"	8.63 x 3.50	IPS	4.61	3.31	20.08	12.76	02-BRT-2601023
8" x 4"	8.63 x 4.50	IPS	4.61	3.43	20.08	12.86	02-BRT-2601024
8" x 6"	8.63 x 6.63	IPS	4.61	4.06	20.08	13.39	02-BRT-2601025
10" x 4"	10.75 x 4.50	IPS	5.71	3.43	25.98	28.68	02-BRT-2601026
10" x 6"	10.75 x 6.63	IPS	5.71	4.06	25.98	29.16	02-BRT-2601027
10" x 8"	10.75 x 8.63	IPS	5.71	4.92	25.98	30.42	02-BRT-2601028
12" x 6"	12.75 x 6.63	IPS	6.50	4.06	29.72	49.44	02-BRT-2601029
12" x 8"	12.75 x 8.63	IPS	6.50	4.92	29.72	52.00	02-BRT-2601030
12" x 10"	12.75 x 10.75	IPS	6.50	5.71	29.72	54.25	02-BRT-2601032

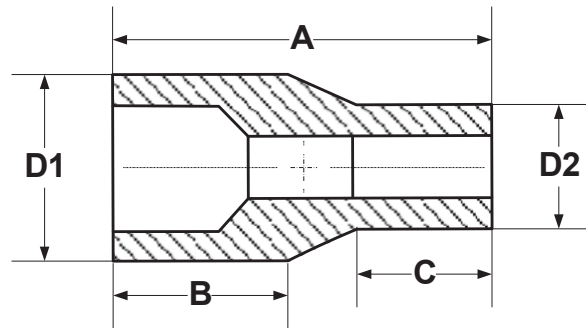
## SDR 7 REDUCERS IPS

Water - 335 PSI at 73° F Sustainable Maximum Operating Pressure  
 Gas - 125 PSI at 73° Deg F Sustainable Maximum Operating Pressure

- Suitable for Water, Fluids & Slurries
- Engineered for PE4710 HDPE Pipe Systems



Manufactured in accordance with: ASTM D2513-20, ASTM D3035-22, ASTM D3261-16, ASTM D3350-21, AWWA C906-15, NSF/ANSI/CAN 61-2022, and ISO-9001 Certified



Nominal Size	Actual Size (D1 x D2)	Norm	(A)	(B)	(C)	Weight (lbs.)	Part Number
2" IPS x 1" IPS	2.38 x 1.32	IPS x IPS	6.15	3.00	1.53	0.42	03-BFR-2707002
3" IPS x 2" IPS	3.50 x 2.38	IPS x IPS	6.06	2.84	2.60	1.16	09-BFR-2707078
4" IPS x 2" IPS	4.50 x 2.38	IPS x IPS	8.00	3.00	2.40	1.95	03-BFR-2707022
4" IPS x 3" IPS	4.50 x 3.50	IPS x IPS	7.87	4.09	3.00	1.96	09-BFR-2707079
6" IPS x 4" IPS	6.63 x 4.50	IPS x IPS	8.46	4.00	3.53	6.04	09-BFR-2707041
8" IPS x 6" IPS	8.63 x 6.63	IPS x IPS	11.00	5.15	3.68	11.57	03-BFR-2707055
10" IPS x 8" IPS	10.75 x 8.63	IPS x IPS	12.01	5.98	5.11	30.47	09-BFR-2707082
12" IPS x 10" IPS	12.75 x 10.75	IPS x IPS	15.83	6.50	5.11	31.24	09-BFR-2707083

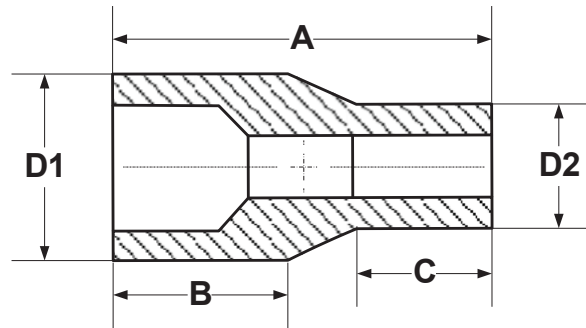
## SDR 9 REDUCERS IPS

Water - 250 PSI at 73° F Sustainable Maximum Operating Pressure  
 Gas - 125 PSI at 73° Deg F Sustainable Maximum Operating Pressure

- Suitable for Water, Fluids & Slurries
- Engineered for PE4710 HDPE Pipe Systems



Manufactured in accordance with: ASTM D2513-20, ASTM D3035-22, ASTM D3261-16, ASTM D3350-21, AWWA C906-15, NSF/ANSI/CAN 61-2022, and ISO-9001 Certified



Nominal Size	Actual Size (D1 x D2)	Norm	(A)	(B)	(C)	Weight (lbs.)	Part Number
3" IPS x 2" IPS	3.50 x 2.38	IPS x IPS	6.90	3.18	2.53	0.68	09-BFR-2707007
4" IPS x 2" IPS	4.50 x 2.38	IPS x IPS	8.00	3.00	2.40	1.33	03-BFR-2707023
4" IPS x 3" IPS	4.50 x 3.50	IPS x IPS	7.58	3.00	3.00	1.48	03-BFR-2707026
6" IPS x 4" IPS	6.63 x 4.50	IPS x IPS	8.46	4.00	3.53	3.27	09-BFR-2707042
8" IPS x 4" IPS	8.63 x 4.50	IPS x IPS	11.00	4.65	3.55	7.03	09-BFR-2707052
8" IPS x 6" IPS	8.63 x 6.63	IPS x IPS	11.42	5.98	4.45	8.36	09-BFR-2707056
10" IPS x 6" IPS	10.75 x 6.62	IPS x IPS	11.81	5.98	4.45	10.26	09-BFR-2707070
10" IPS x 8" IPS	10.75 x 8.62	IPS x IPS	12.01	5.98	4.5	10.26	09-BFR-2707072
12" IPS x 6" IPS	12.75 x 6.62	IPS x IPS	13.62	6.54	4.72	17.02	09-BFR-2707125
12" IPS x 8" IPS	12.75 x 8.62	IPS x IPS	13.46	6.52	5.51	19.02	09-BFR-2707117
12" IPS x 10" IPS	12.75 x 10.75	IPS x IPS	13.46	6.54	5.51	21.45	09-BFR-2707126

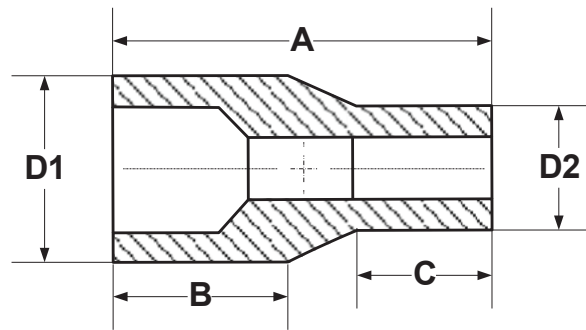
## SDR 11 REDUCERS IPS

Water - 200 PSI at 73° F Sustainable Maximum Operating Pressure  
 Gas - 100 PSI at 73° Deg F Sustainable Maximum Operating Pressure

- Suitable for Water, Fluids & Slurries
- Engineered for PE4710 HDPE Pipe Systems



Manufactured in accordance with: ASTM D2513-20, ASTM D3035-22, ASTM D3261-16, ASTM D3350-21, AWWA C906-15, NSF/ANSI/CAN 61-2022, and ISO-9001 Certified



Nominal Size	Actual Size (D1 x D2)	Norm	(A)	(B)	(C)	Weight (lbs.)	Part Number
3" IPS x 2" IPS	3.50 x 2.38	IPS x IPS	6.90	3.18	2.53	0.66	03-BFR-2707006
4" IPS x 2" IPS	4.50 x 2.38	IPS x IPS	8.00	3.00	2.40	1.17	03-BFR-2707021
4" IPS x 3" IPS	4.50 x 3.50	IPS x IPS	7.58	3.00	3.00	1.43	03-BFR-2707025
6" IPS x 3" IPS	6.63 x 3.50	IPS x IPS	8.07	4.02	2.83	3.19	09-BFR-2707070
6" IPS x 4" IPS	6.63 x 4.50	IPS x IPS	11.05	5.20	3.58	4.23	03-BFR-2707039
8" IPS x 4" IPS	8.63 x 4.50	IPS x IPS	11.43	4.65	3.55	6.80	03-BFR-2707049
8" IPS x 6" IPS	8.63 x 6.63	IPS x IPS	11.00	5.15	3.67	9.25	03-BFR-2707053
10" IPS x 8" IPS	10.75 x 8.62	IPS x IPS	12.01	5.98	4.50	11.66	09-BFR-2707105
12" IPS x 6" IPS	12.75 x 6.62	IPS x IPS	13.62	6.54	4.72	15.14	09-BFR-2707110
12" IPS x 8" IPS	12.75 x 8.62	IPS x IPS	13.46	6.52	5.51	15.88	09-BFR-2707115
12" IPS x 10" IPS	12.75 x 10.75	IPS x IPS	13.46	6.52	5.98	18.69	09-BFR-2707120

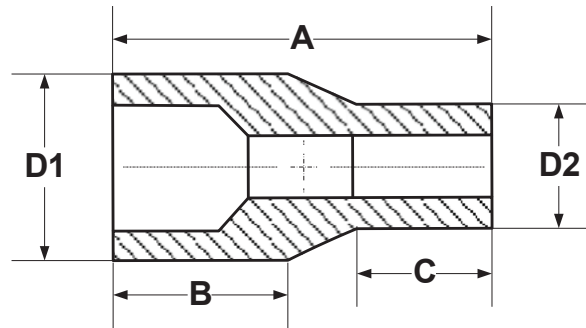
## SDR 17 REDUCERS IPS

Water - 125 PSI at 73° F Sustainable Maximum Operating Pressure  
 Gas - 64 PSI at 73° Deg F Sustainable Maximum Operating Pressure

- Suitable for Water, Fluids & Slurries
- Engineered for PE4710 HDPE Pipe Systems



Manufactured in accordance with: ASTM D2513-20, ASTM D3035-22, ASTM D3261-16, ASTM D3350-21, AWWA C906-15, NSF/ANSI/CAN 61-2022, and ISO-9001 Certified



Nominal Size	Actual Size (D1 x D2)	Norm	(A)	(B)	(C)	Weight (lbs.)	Part Number
3" IPS x 2" IPS	3.50 x 2.38	IPS x IPS	6.90	2.84	2.53	0.45	03-BFR-2707005
4" IPS x 2" IPS	4.50 x 2.38	IPS x IPS	8.00	3.96	2.40	0.81	03-BFR-2707020
4" IPS x 3" IPS	4.50 x 3.50	IPS x IPS	7.58	4.02	3.00	0.97	03-BFR-2707024
6" IPS x 4" IPS	6.63 x 4.50	IPS x IPS	8.46	4.00	3.58	1.96	03-BFR-2707040
8" IPS x 4" IPS	8.63 x 4.50	IPS x IPS	10.83	5.90	3.55	5.00	03-BFR-2707050
8" IPS x 6" IPS	8.63 x 6.62	IPS x IPS	11.42	5.98	4.45	5.06	03-BFR-2707054
10" IPS x 6" IPS	10.75 x 6.62	IPS x IPS	11.81	5.98	4.45	8.00	09-BFR-2707065
10" IPS x 8" IPS	10.75 x 8.62	IPS x IPS	12.01	5.98	5.00	8.14	09-BFR-2707105
12" IPS x 6" IPS	12.75 x 6.62	IPS x IPS	13.62	6.54	4.72	11.00	09-BFR-2707111
12" IPS x 8" IPS	12.75 x 8.62	IPS x IPS	13.40	6.51	5.51	11.82	09-BFR-2707116
12" IPS x 10" IPS	12.75 x 10.75	IPS x IPS	13.46	6.5	5.98	12.22	09-BFR-2707113

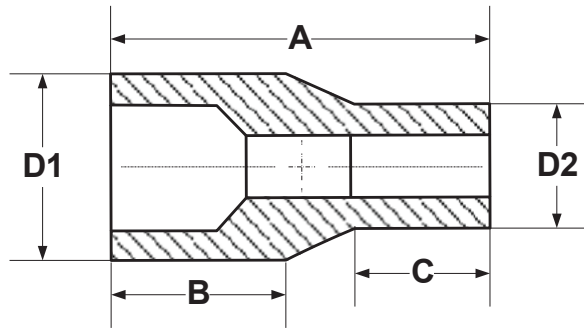
## SDR 9 REDUCERS DIPS

Water - 250 PSI at 73° F Sustainable Maximum Operating Pressure  
 Gas - 125 PSI at 73° Deg F Sustainable Maximum Operating Pressure

- Suitable for Water, Fluids & Slurries
- Engineered for PE4710 HDPE Pipe Systems



Manufactured in accordance with: ASTM D2513-20, ASTM D3035-22, ASTM D3261-16, ASTM D3350-21, AWWA C906-15, NSF/ANSI/CAN 61-2022, and ISO-9001 Certified



Nominal Size	Actual Size (D1 x D2)	Norm	(A)	(B)	(C)	Weight (lbs.)	Part Number
4" DIPS x 3" DIPS	4.80 x 3.49	DIPS x DIPS	8.50	2.63	2.50	1.80	03-BFR-2707013
4" DIPS x 3" IPS	4.80 x 3.50	DIPS x IPS	7.58	3.08	2.85	1.80	03-BFR-2707016
6" DIPS x 4" DIPS	6.90 x 4.80	DIPS x DIPS	11.13	4.83	3.55	5.30	03-BFR-2707034
6" DIPS x 4" IPS	6.90 x 4.80	DIPS X IPS	11.13	4.83	3.55	5.20	03-BFR-2707033
6" DIPS x 6" IPS	6.90 x 6.63	DIPS x IPS	6.68	5.00	1.58	5.40	03-BFR-2707037
12" DIPS x 10" DIPS	13.20 x 11.10	DIPS x DIPS	4.25	2.10	1.05	TBA	03-BFR-2707062 **

\*\* Ltd., qty., while supplies last

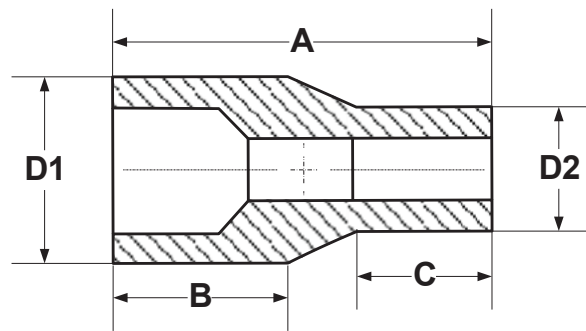
## SDR 11 REDUCERS DIPS

Water - 200 PSI at 73° F Sustainable Maximum Operating Pressure  
 Gas - 100 PSI at 73° Deg F Sustainable Maximum Operating Pressure

- Suitable for Water, Fluids & Slurries
- Engineered for PE4710 HDPE Pipe Systems



Manufactured in accordance with: ASTM D2513-20, ASTM D3035-22, ASTM D3261-16, ASTM D3350-21, AWWA C906-15, NSF/ANSI/CAN 61-2022, and ISO-9001 Certified



Nominal Size	Actual Size (D1 x D2)	Norm	(A)	(B)	(C)	Weight (lbs.)	Part Number
3" DIPS x 3" IPS	3.96 x 3.50	DIPS x IPS	6.08	2.10	3.90	1.00	03-BFR-2707004
6" DIPS X 4" IPS	6.90 x 4.48	DIPS X IPS	10.75	4.31	3.63	5.20	03-BFR-2707030
8" DIPS x 6" DIPS	9.05 x 6.90	DIPS x DIPS	11.00	5.10	3.83	10.00	09-BFR-2707043
8" DIPS X 6" IPS	9.05 x 6.63	DIPS X IPS	11.00	4.44	3.56	9.40	03-BFR-2707046
12" DIPS x 10" DIPS	13.20 x 11.10	DIPS x DIPS	4.25	2.10	1.05	TBA	03-BFR-2707061 **
14" DIPS x 12" DIPS	13.20 x 15.30	DIPS x DIPS	4.25	2.50	1.50	TBA	03-BFR-2707063 **

\*\* Ltd., qty., while supplies last

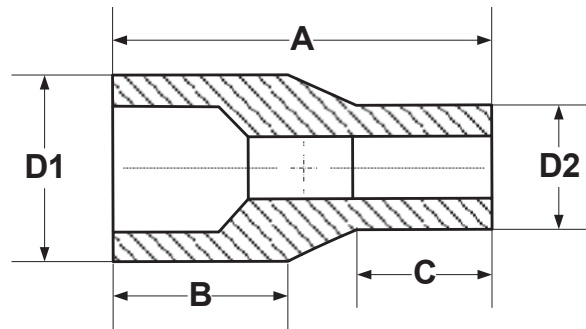
## SDR 17 REDUCERS DIPS

Water - 125 PSI at 73° F Sustainable Maximum Operating Pressure  
 Gas - 64 PSI at 73° Deg F Sustainable Maximum Operating Pressure

- Suitable for Water, Fluids & Slurries
- Engineered for PE4710 HDPE Pipe Systems



Manufactured in accordance with: ASTM D2513-20, ASTM D3035-22, ASTM D3261-16, ASTM D3350-21, AWWA C906-15, NSF/ANSI/CAN 61-2022, and ISO-9001 Certified



Nominal Size	Actual Size (D1 x D2)	Norm	(A)	(B)	(C)	Weight (lbs.)	Part Number
4" DIPS x 2" IPS	4.80 x 2.38	DIPS x IPS	7.50	2.75	2.48	1.40	03-BFR-2707008
4" DIPS x 3" DIPS	4.80 x 3.49	DIPS x DIPS	7.58	3.08	2.85	1.50	03-BFR-2707011
4" DIPS x 3" IPS	4.80 x 3.50	DIPS x IPS	7.58	3.08	2.85	1.20	03-BFR-2707014
4" DIPS x 4" IPS	4.80 x 4.50	DIPS x IPS	6.70	1.60	5.05	1.20	03-BFR-2707017
8" DIPS x 6" DIPS	9.05 x 6.90	DIPS x DIPS	11.00	5.10	3.83	9.26	03-BFR-2707044
8" DIPS X 6" IPS	9.05 x 6.90	DIPS x IPS	11.00	5.10	3.83	9.26	03-BFR-2707047
12" DIPS x 10" DIPS	13.20 x 11.10	DIPS x DIPS	4.25	2.10	1.05	TBA	03-BFR-2707060 **

\*\* Ltd., qty., while supplies last

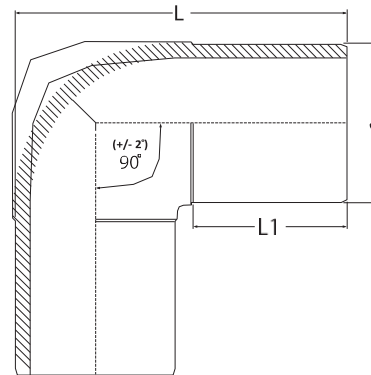
## SDR 7 90° ELBOWS IPS/DIPS

Water - 335 PSI at 73° F Sustainable Maximum Operating Pressure  
 Gas - 125 PSI at 73° F Sustainable Maximum Operating Pressure

- Suitable for Water, Fluids & Slurries
- Engineered for PE100, PE80, PE4710, PE3408 HDPE Pipe Systems



Manufactured in accordance with: ASTM D2513-20, ASTM D3035-22, ASTM D3261-16, ASTM D3350-21, AWWA C906-15, NSF/ANSI/CAN 61-2022, and ISO-9001 Certified



Nominal Size	Actual Size (d)	Norm	(L)	(L1)	Weight (lbs.)	Part Number
2"	2.38	IPS	5.63	2.64	0.88	02-BFX-2608548
3"	3.50	IPS	7.44	3.46	1.98	02-BFX-2608549
4"	4.50	IPS	8.39	3.54	4.62	02-BFX-2608550
6"	6.63	IPS	12.01	4.37	11.66	02-BFX-2608551
8"	8.63	IPS	15.35	5.12	21.34	02-BFX-2608552 } 02-BFX-2608553 }
10"	10.75	IPS	18.50	5.91	42.32	02-BFX-2608553 }
12"	12.75	IPS	20.69	6.30	70.40	02-BFX-2608554 }
4"	4.80	DIPS	8.98	3.66	4.62	02-BFX-2608556
6"	6.90	DIPS	12.01	4.37	11.88	02-BFX-2608557
8"	9.05	DIPS	15.75	5.12	21.78	02-BFX-2608558 } 02-BFX-2608559 }
10"	11.10	DIPS	18.50	5.91	45.54	02-BFX-2608559 }
12"	13.20	DIPS	21.67	6.89	71.94	02-BFX-2608560 }

{ Coming soon

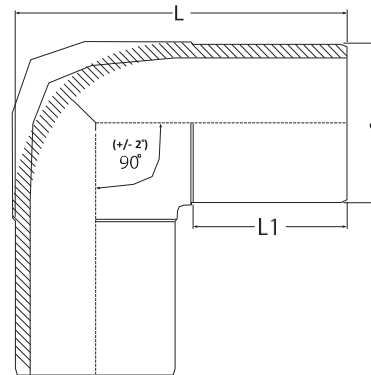
## SDR 9 90° ELBOWS IPS/DIPS

Water - 250 PSI at 73° F Sustainable Maximum Operating Pressure  
 Gas - 125 PSI at 73° F Sustainable Maximum Operating Pressure

- Suitable for Water, Fluids & Slurries
- Engineered for PE100, PE80, PE4710, PE3408 HDPE Pipe Systems



Manufactured in accordance with: ASTM D2513-20, ASTM D3035-22, ASTM D3261-16, ASTM D3350-21, AWWA C906-15, NSF/ANSI/CAN 61-2022, and ISO-9001 Certified



Nominal Size	Actual Size (d)	Norm	(L)	(L1)	Weight (lbs.)	Part Number
2"	2.38	IPS	5.63	2.64	0.60	02-BFX-2608525
3"	3.50	IPS	7.44	3.46	1.58	02-BFX-2608526
4"	4.50	IPS	8.39	3.54	2.68	02-BFX-2608527
6"	6.63	IPS	12.01	4.37	9.27	02-BFX-2608528
8"	8.63	IPS	15.35	5.12	20.6	02-BFX-2608529 }
10"	10.75	IPS	18.50	5.91	38.28	02-BFX-2608530 }
12"	12.75	IPS	20.69	6.30	55.06	02-BFX-2608531 }
4"	4.80	DIPS	8.98	3.66	3.51	02-BFX-2608532
6"	6.90	DIPS	12.01	4.37	9.26	02-BFX-2608533
8"	9.05	DIPS	15.75	5.12	22.76	02-BFX-2608534 }
10"	11.10	DIPS	18.50	5.91	37.91	02-BFX-2608535 }
12"	13.20	DIPS	21.67	6.89	61.33	02-BFX-2608536 }

} Coming soon

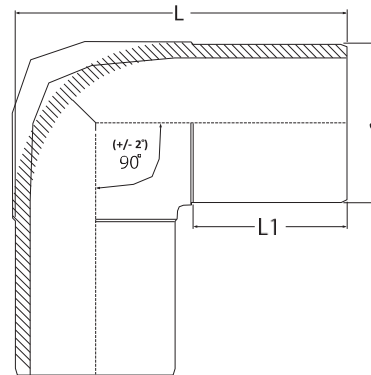
## SDR 11 90° ELBOWS IPS/DIPS

Water - 200 PSI at 73° F Sustainable Maximum Operating Pressure  
 Gas - 125 PSI at 73° F Sustainable Maximum Operating Pressure

- Suitable for Water, Fluids & Slurries
- Engineered for PE100, PE80, PE4710, PE3408 HDPE Pipe Systems



Manufactured in accordance with: ASTM D2513-20, ASTM D3035-22, ASTM D3261-16, ASTM D3350-21, AWWA C906-15, NSF/ANSI/CAN 61-2022, and ISO-9001 Certified



Nominal Size	Actual Size (d)	Norm	(L)	(L1)	Weight (lbs.)	Part Number
2"	2.38	IPS	5.63	2.64	0.52	02-BFX-2608501
3"	3.50	IPS	7.44	3.46	1.34	02-BFX-2608502
4"	4.50	IPS	8.39	3.54	2.26	02-BFX-2608503
6"	6.63	IPS	12.01	4.37	8.05	02-BFX-2608504
8"	8.63	IPS	15.35	5.12	17.92	02-BFX-2608505
10"	10.75	IPS	18.50	5.91	33.36	02-BFX-2608506
12"	12.75	IPS	20.69	6.30	47.47	02-BFX-2608507
4"	4.80	DIPS	8.98	3.66	3.01	02-BFX-2608508
6"	6.90	DIPS	12.01	4.37	7.95	02-BFX-2608509
8"	9.05	DIPS	15.75	5.12	19.75	02-BFX-2608510
10"	11.10	DIPS	18.50	5.91	32.65	02-BFX-2608511
12"	13.20	DIPS	21.67	6.89	52.77	02-BFX-2608512

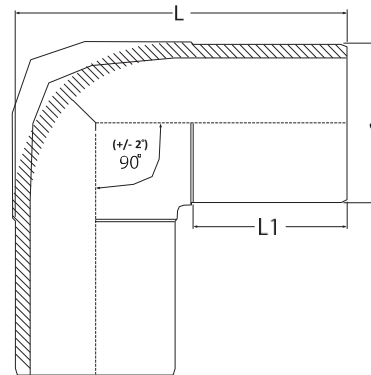
## SDR 17 90° ELBOWS IPS/DIPS

Water - 125 PSI at 73° F Sustainable Maximum Operating Pressure  
 Gas - 64 PSI at 73° F Sustainable Maximum Operating Pressure

- Suitable for Water, Fluids & Slurries
- Engineered for PE100, PE80, PE4710, PE3408 HDPE Pipe Systems



Manufactured in accordance with: ASTM D2513-20, ASTM D3035-22, ASTM D3261-16, ASTM D3350-21, AWWA C906-15, NSF/ANSI/CAN 61-2022, and ISO-9001 Certified



Nominal Size	Actual Size (d)	Norm	(L)	(L1)	Weight (lbs.)	Part Number
2"	2.38	IPS	5.63	2.64	0.38	02-BFX-2608513
3"	3.50	IPS	7.44	3.46	0.94	02-BFX-2608514
4"	4.50	IPS	8.39	3.54	1.55	02-BFX-2608515
6"	6.63	IPS	12.01	4.37	5.98	02-BFX-2608516
8"	8.63	IPS	15.35	5.12	13.37	02-BFX-2608517
10"	10.75	IPS	18.50	5.91	25.02	02-BFX-2608518
12"	12.75	IPS	20.69	6.30	34.63	02-BFX-2608519
4"	4.80	DIPS	8.98	3.66	2.17	02-BFX-2608520
6"	6.90	DIPS	12.01	4.37	5.66	02-BFX-2608521
8"	9.05	DIPS	15.75	5.12	14.64	02-BFX-2608522
10"	11.10	DIPS	18.50	5.91	23.77	02-BFX-2608523
12"	13.20	DIPS	21.67	6.89	38.17	02-BFX-2608524

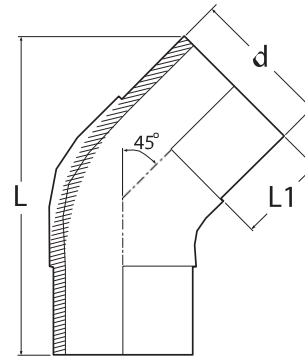
## SDR 7 45° ELBOWS IPS/DIPS

Water - 335 PSI at 73° F Sustainable Maximum Operating Pressure  
 Gas - 125 PSI at 73° F Sustainable Maximum Operating Pressure

- Suitable for Water, Fluids & Slurries
- Engineered for PE100, PE80, PE4710, PE3408 HDPE Pipe Systems



**Manufactured in accordance with:** ASTM D2513-20, ASTM D3035-22, ASTM D3261-16, ASTM D3350-21, AWWA C906-15, NSF/ANSI/CAN 61-2022, and ISO-9001 Certified



Nominal Size	Actual Size (d)	Norm	(L)	(L1)	Weight (lbs.)	Part Number
2"	2.38	IPS	6.32	2.52	0.66	02-BFE-2607049
3"	3.50	IPS	8.72	3.50	1.76	02-BFE-2607050
4"	4.50	IPS	10.38	3.54	3.52	02-BFE-2607051
6"	6.63	IPS	13.01	4.33	8.58	02-BFE-2607052
8"	8.63	IPS	16.24	5.12	17.38	02-BFE-2607053 }
10"	10.75	IPS	19.17	5.91	32.56	02-BFE-2607054 }
12"	12.75	IPS	21.19	6.30	46.86	02-BFE-2607055 }
4"	4.80	DIPS	11.23	3.94	3.74	02-BFE-2607056
6"	6.90	DIPS	13.10	4.33	9.02	02-BFE-2607057
8"	9.05	DIPS	16.53	5.12	18.04	02-BFE-2607058 }
10"	11.10	DIPS	19.29	5.91	33.22	02-BFE-2607059 }
12"	13.20	DIPS	22.50	6.89	49.72	02-BFE-2607060 }

{ Coming soon

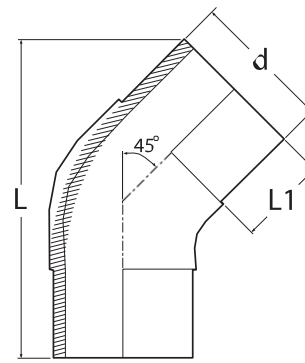
## SDR 9 45° ELBOWS IPS/DIPS

Water - 250 PSI at 73° F Sustainable Maximum Operating Pressure  
 Gas - 125 PSI at 73° F Sustainable Maximum Operating Pressure

- Suitable for Water, Fluids & Slurries
- Engineered for PE100, PE80, PE4710, PE3408 HDPE Pipe Systems



Manufactured in accordance with: ASTM D2513-20, ASTM D3035-22, ASTM D3261-16, ASTM D3350-21, AWWA C906-15, NSF/ANSI/CAN 61-2022, and ISO-9001 Certified



Nominal Size	Actual Size (d)	Norm	(L)	(L1)	Weight (lbs.)	Part Number
2"	2.38	IPS	6.32	2.52	0.46	02-BFE-2607025
3"	3.50	IPS	8.72	3.50	1.29	02-BFE-2607026
4"	4.50	IPS	10.38	3.54	2.39	02-BFE-2607027
6"	6.63	IPS	13.01	4.33	6.85	02-BFE-2607028
8"	8.63	IPS	16.24	5.12	14.88	02-BFE-2607029 }
10"	10.75	IPS	19.17	5.91	27.07	02-BFE-2607030 }
12"	12.75	IPS	21.19	6.30	39.35	02-BFE-2607031 }
4"	4.80	DIPS	11.23	3.94	3.10	02-BFE-2607032
6"	6.90	DIPS	13.10	4.33	7.00	02-BFE-2607033
8"	9.05	DIPS	16.53	5.12	16.40	02-BFE-2607034 }
10"	11.10	DIPS	19.29	5.91	27.36	02-BFE-2607035 }
12"	13.20	DIPS	22.50	6.89	44.44	02-BFE-2607036 }

{ Coming soon

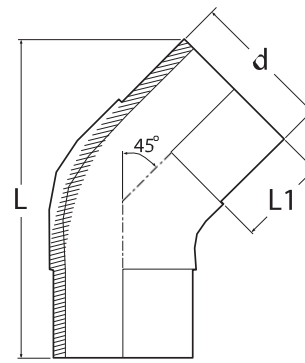
## SDR 11 45° ELBOWS IPS/DIPS

Water - 200 PSI at 73° F Sustainable Maximum Operating Pressure  
 Gas - 125 PSI at 73° F Sustainable Maximum Operating Pressure

- Suitable for Water, Fluids & Slurries
- Engineered for PE100, PE80, PE4710, PE3408 HDPE Pipe Systems



Manufactured in accordance with: ASTM D2513-20, ASTM D3035-22, ASTM D3261-16, ASTM D3350-21, AWWA C906-15, NSF/ANSI/CAN 61-2022, and ISO-9001 Certified



Nominal Size	Actual Size (d)	Norm	(L)	(L1)	Weight (lbs.)	Part Number
2"	2.38	IPS	6.32	2.52	0.40	02-BFE-2607001
3"	3.50	IPS	8.72	3.50	1.09	02-BFE-2607002
4"	4.50	IPS	10.38	3.54	2.01	02-BFE-2607003
6"	6.63	IPS	13.01	4.33	5.87	02-BFE-2607004
8"	8.63	IPS	16.24	5.12	12.80	02-BFE-2607005
10"	10.75	IPS	19.17	5.91	23.32	02-BFE-2607006
12"	12.75	IPS	21.19	6.30	33.63	02-BFE-2607007
4"	4.80	DIPS	11.23	3.94	2.64	02-BFE-2607008
6"	6.90	DIPS	13.10	4.33	5.95	02-BFE-2607009
8"	9.05	DIPS	16.53	5.12	14.09	02-BFE-2607010
10"	11.10	DIPS	19.29	5.91	23.36	02-BFE-2607011
12"	13.20	DIPS	22.50	6.89	37.93	02-BFE-2607012

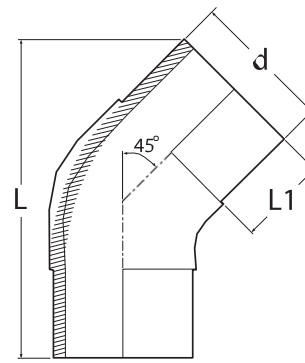
## SDR 17 45° ELBOWS IPS/DIPS

Water - 125 PSI at 73° F Sustainable Maximum Operating Pressure  
 Gas - 64 PSI at 73° F Sustainable Maximum Operating Pressure

- Suitable for Water, Fluids & Slurries
- Engineered for PE100, PE80, PE4710, PE3408 HDPE Pipe Systems



Manufactured in accordance with: ASTM D2513-20, ASTM D3035-22, ASTM D3261-16, ASTM D3350-21, AWWA C906-15, NSF/ANSI/CAN 61-2022, and ISO-9001 Certified



Nominal Size	Actual Size (d)	Norm	(L)	(L1)	Weight (lbs.)	Part Number
2"	2.38	IPS	6.32	2.52	0.28	02-BFE-2607013
3"	3.50	IPS	8.72	3.50	0.87	02-BFE-2607014
4"	4.50	IPS	10.38	3.54	1.63	02-BFE-2607015
6"	6.63	IPS	13.01	4.33	4.88	02-BFE-2607016
8"	8.63	IPS	16.24	5.12	8.98	02-BFE-2607017
10"	10.75	IPS	19.17	5.91	16.06	02-BFE-2607018
12"	12.75	IPS	21.19	6.30	22.66	02-BFE-2607019
4"	4.80	DIPS	11.23	3.94	2.00	02-BFE-2607020
6"	6.90	DIPS	13.10	4.33	4.01	02-BFE-2607021
8"	9.05	DIPS	16.53	5.12	10.05	02-BFE-2607022
10"	11.10	DIPS	19.29	5.91	15.99	02-BFE-2607023
12"	13.20	DIPS	22.50	6.89	26.90	02-BFE-2607024

## SDR 9 END CAPS

Water - 250 PSI at 73° F Sustainable Maximum Operating Pressure

- Suitable for Water, Fluids & Slurries
- Engineered for PE4710 HDPE Pipe System



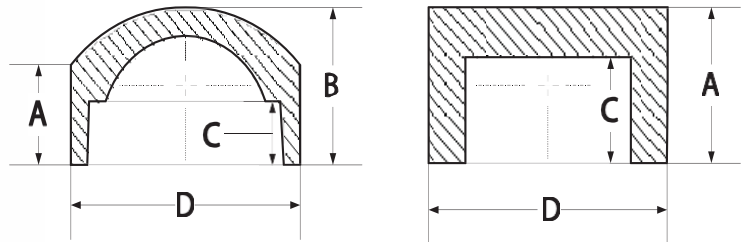
Manufactured in accordance with: ASTM D3261-16, NSF/ANSI/CAN 61-2022, and ISO-9001 Certified



TYPE A



TYPE B



Nominal Size	Type	Norm	(A)	(B)	(C)	(D)	Weight (lbs.)	Part Number
3"	A	IPS	2.90	3.13	1.50	3.50	0.54	03-BEC-2803004
8"	B	IPS	3.50	N/A	1.50	8.63	5.02	03-BEC-2803019
4"	A	DIPS	3.90	5.65	1.50	4.80	2.40	03-BEC-2803010
8"	B	DIPS	3.52	N/A	1.50	9.05	5.50	03-BEC-2803022

## SDR 11 END CAPS

Water - 200 PSI at 73° F Sustainable Maximum Operating Pressure

- Suitable for Water, Fluids & Slurries
- Engineered for PE4710 HDPE Pipe System



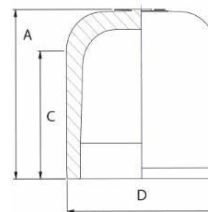
Manufactured in accordance with: ASTM D3261-16, NSF/ANSI/CAN 61-2022, and ISO-9001 Certified



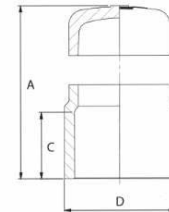
TYPE C

TYPE D

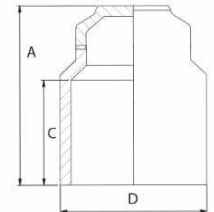
TYPE E



TYPE C



TYPE D



TYPE E

Nominal Size	Type	Norm	(A)	(B)	(C)	(D)	Weight (lbs.)	Part Number
2"	C	IPS	3.43	N/A	2.64	2.38	0.22	09-BEC-2803002
3"	C	IPS	4.09	N/A	3.19	3.50	0.52	09-BEC-2803005
4"	C	IPS	4.69	N/A	3.54	4.50	1.20	09-BEC-2803008
6"	C	IPS	6.04	N/A	4.73	6.63	2.60	09-BEC-2803014
8"	D	IPS	13.38	N/A	7.40	8.63	4.76	09-BEC-2803020
10"	D	IPS	15.67	N/A	6.79	10.75	7.20	09-BEC-2803025
12"	E	IPS	17.37	N/A	9.50	12.75	10.60	09-BEC-2803027

## SDR 17 END CAPS

Water - 125 PSI at 73° F Sustainable Maximum Operating Pressure

- Suitable for Water, Fluids & Slurries
- Engineered for PE4710 HDPE Pipe System



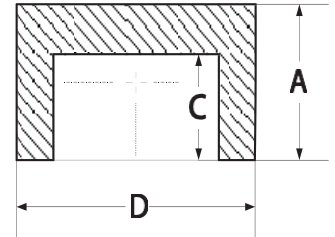
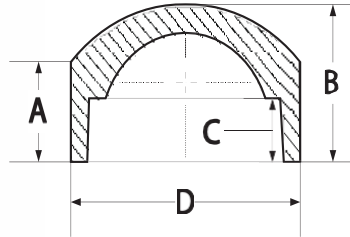
Manufactured in accordance with: ASTM D3261-16, NSF/ANSI/CAN 61-2022, and ISO-9001 Certified



TYPE A



TYPE B



Nominal Size	Type	Norm	(A)	(B)	(C)	(D)	Weight (lbs.)	Part Number
2"	A	IPS	3.23	3.53	1.50	2.38	0.20	03-BEC-2803003
3"	A	IPS	2.90	3.13	1.50	3.50	0.44	03-BEC-2803006
8"	B	IPS	3.50	N/A	1.50	8.63	4.35	03-BEC-2803021
10"	B	IPS	3.15	N/A	1.50	10.75	7.00	03-BEC-2803026
12"	B	IPS	3.66	N/A	1.55	12.75	9.90	03-BEC-2803028
4"	A	DIPS	3.90	5.65	1.50	4.80	1.90	03-BEC-2803012
6"	A	DIPS	3.25	4.25	1.50	6.90	3.20	03-BEC-2803018
8"	B	DIPS	3.52	N/A	1.50	9.05	4.80	03-BEC-2803024

## SDR 7 FLANGE ADAPTERS IPS

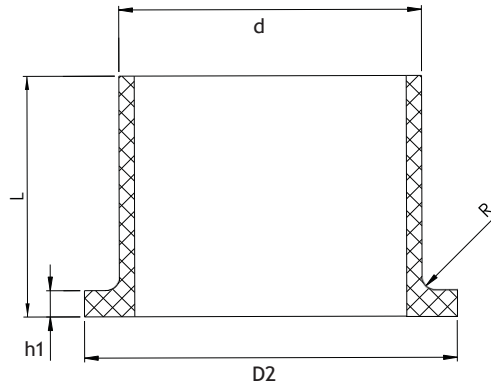
Water - 335 PSI at 73° F Sustainable Maximum Operating Pressure



- Suitable for Water, Fluids & Slurries
- Engineered for PE100, PE80, PE4710, PE3408 HDPE Pipe Systems



Manufactured in accordance with: ASTM D3035-22, ASTM D3261-16, ASTM D3350-21, ASTM F2880-22, AWWA C901-20, AWWA C906-15 (for 2" - 3"), NSF / ANSI 61, and ISO-9001 Certified



Nominal Size	Actual Size (d)	Norm	(L)	(h1)	(R)	(D2)	Weight (lbs.)	Part Number
2"	2.38	IPS	4.69	0.44	0.25	3.88	0.48	02-BFA-2611194
3"	3.50	IPS	5.13	0.63	0.25	5.00	1.09	02-BFA-2611157
4"	4.50	IPS	6.26	0.88	0.38	6.63	2.33	02-BFA-2611158
6"	6.62	IPS	7.94	1.19	0.38	8.50	5.77	02-BFA-2611159
8"	8.62	IPS	8.13	1.63	0.38	10.63	10.11	02-BFA-2611160
10"	10.75	IPS	8.50	2.00	0.38	12.75	16.22	02-BFA-2611161
12"	12.75	IPS	9.66	2.81	0.38	15.75	27.12	02-BFA-2611162
14"	14.00	IPS	10.63	2.50	0.50	17.38	36.17	02-BFA-2611163 *
16"	16.00	IPS	11.32	2.88	0.50	19.75	50.74	02-BFA-2611164 *
18"	18.00	IPS	11.75	3.25	0.50	21.13	63.72	02-BFA-2611165 *
20"	20.00	IPS	12.57	3.63	0.50	23.38	84.27	02-BFA-2611166 *
22"	22.00	IPS	12.97	3.94	0.50	25.50	104.96	02-BFA-2611167 *
24"	24.00	IPS	13.78	4.28	0.50	27.75	132.80	02-BFA-2611168 *
26"	26.00	IPS	15.01	4.63	0.50	30.00	168.99	02-BFA-2611169 *
28"	28.00	IPS	15.63	5.00	0.50	32.25	204.92	02-BFA-2611170 *
30"	30.00	IPS	16.26	5.38	0.50	34.25	243.00	02-BFA-2611171 *
32"	32.00	IPS	16.88	5.75	0.50	36.75	290.98	02-BFA-2611172 *
34"	34.00	IPS	18.26	6.13	0.50	38.50	347.28	02-BFA-2611173 *
36"	36.00	IPS	19.63	6.50	0.50	40.75	417.58	02-BFA-2611174 *
40"	40.00	IPS	22.10	7.19	0.50	45.13	576.30	02-BFA-2611175 *
42"	42.00	IPS	22.40	7.48	0.50	47.38	645.95	02-BFA-2611176 *
48"	48.00	IPS	26.02	8.50	0.75	53.75	967.10	02-BFA-2611177 *

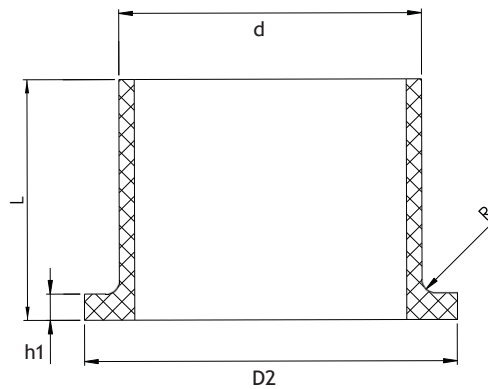
## SDR 9 FLANGE ADAPTERS IPS/DIPS

Water - 250 PSI at 73° F Sustainable Maximum Operating Pressure

- Suitable for Water, Fluids & Slurries
- Engineered for PE100, PE80, PE4710, PE3408 HDPE Pipe Systems



Manufactured in accordance with: ASTM D3035-22, ASTM D3261-16, ASTM D3350-21, ASTM F2880-22, AWWA C901-20, AWWA C906-15 (for 2" - 3"), NSF / ANSI 61, and ISO-9001 Certified



Nominal Size	Actual Size (d)	Norm	(L)	(h1)	(R)	(D2)	Weight (lbs.)	Part Number
2"	2.38	IPS	4.64	0.39	0.25	3.88	0.40	02-BFA-2611080
3"	3.50	IPS	5.00	0.50	0.25	5.00	0.87	02-BFA-2611081
4"	4.50	IPS	6.01	0.63	0.38	6.63	1.78	02-BFA-2611082
6"	6.62	IPS	7.75	1.00	0.38	8.50	4.61	02-BFA-2611083
8"	8.62	IPS	7.38	1.25	0.38	10.63	7.49	02-BFA-2611084
10"	10.75	IPS	7.63	1.50	0.38	12.75	11.84	02-BFA-2611085
12"	12.75	IPS	9.26	1.88	0.38	15.75	21.27	02-BFA-2611086
14"	14.00	IPS	9.75	2.00	0.50	17.38	27.26	02-BFA-2611087 *
16"	16.00	IPS	10.25	2.25	0.50	19.75	37.73	02-BFA-2611088 *
18"	18.00	IPS	10.63	2.50	0.50	21.13	47.04	02-BFA-2611089 *
20"	20.00	IPS	11.26	2.88	0.50	23.38	62.02	02-BFA-2611090 *
22"	22.00	IPS	11.76	3.13	0.50	25.50	78.04	02-BFA-2611091 *
24"	24.00	IPS	12.05	3.36	0.50	27.75	95.70	02-BFA-2611092 *
26"	26.00	IPS	13.76	3.63	0.50	30.00	126.47	02-BFA-2611093 *
28"	28.00	IPS	14.13	3.88	0.50	32.25	151.24	02-BFA-2611094 *
30"	30.00	IPS	14.57	4.19	0.50	34.25	178.16	02-BFA-2611095 *
32"	32.00	IPS	15.38	4.50	0.50	36.75	216.53	02-BFA-2611096 *
34"	34.00	IPS	16.25	4.75	0.50	38.50	252.71	02-BFA-2611097 *
36"	36.00	IPS	17.19	5.00	0.50	40.75	299.22	02-BFA-2611098 *
40"	40.00	IPS	20.42	5.50	0.50	45.13	371.34	02-BFA-2611099 *
42"	42.00	IPS	20.80	5.88	0.50	47.38	425.24	02-BFA-2611100 *

## SDR 9 FLANGE ADAPTERS IPS/DIPS

Water - 250 PSI at 73° F Sustainable Maximum Operating Pressure

- Suitable for Water, Fluids & Slurries
- Engineered for PE100, PE80, PE4710, PE3408 HDPE Pipe Systems



Manufactured in accordance with: ASTM D3035-22, ASTM D3261-16, ASTM D3350-21, ASTM F2880-22, AWWA C901-20, AWWA C906-15 (for 2" - 3"), NSF / ANSI 61, and ISO-9001 Certified

Nominal Size	Actual Size (d)	Norm	(L)	(h1)	(R)	(D2)	Weight (lbs.)	Part Number
48"	48.00	IPS	24.27	6.75	0.75	53.75	582.28	02-BFA-2611101 *
4"	4.80	DIPS	6.07	0.69	0.44	6.63	1.98	02-BFA-2611104 *
6"	6.90	DIPS	7.75	1.00	0.44	8.50	4.84	02-BFA-2611105 *
8"	9.05	DIPS	7.38	1.25	0.44	10.63	7.88	02-BFA-2611106 *
10"	11.10	DIPS	7.76	1.63	0.44	12.75	12.49	02-BFA-2611107 *
12"	13.20	DIPS	9.26	1.88	0.44	15.75	21.91	02-BFA-2611108 *
14"	15.30	DIPS	9.88	2.13	0.44	17.38	29.91	02-BFA-2611109 *
16"	17.40	DIPS	10.50	2.50	0.44	19.75	41.64	02-BFA-2611110 *
18"	19.50	DIPS	10.88	2.75	0.44	21.13	51.39	02-BFA-2611111 *
20"	21.60	DIPS	11.38	3.00	0.44	23.38	66.13	02-BFA-2611112 *
24"	25.80	DIPS	12.32	3.63	0.50	27.75	102.31	02-BFA-2611113 *
30"	32.00	DIPS	14.88	4.50	0.50	34.25	189.16	02-BFA-2611114 *
36"	38.30	DIPS	17.69	5.50	0.50	40.75	319.95	02-BFA-2611115 *
42"	44.50	DIPS	23.78	6.26	0.50	47.38	433.58	02-BFA-2611116 *
48"	50.80	DIPS	24.64	7.12	0.75	53.75	512.63	02-BFA-2611117 *

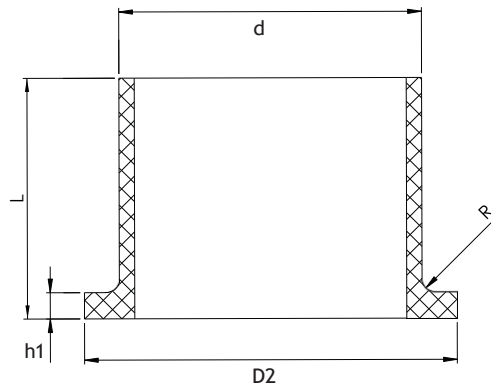
## SDR 11 FLANGE ADAPTERS IPS/DIPS

Water - 200 PSI at 73° F Sustainable Maximum Operating Pressure

- Suitable for Water, Fluids & Slurries
- Engineered for PE100, PE80, PE4710, PE3408 HDPE Pipe Systems



Manufactured in accordance with: ASTM D3035-22, ASTM D3261-16, ASTM D3350-21, ASTM F2880-22, AWWA C901-20, AWWA C906-15 (for 2" - 3"), NSF / ANSI 61, and ISO-9001 Certified



Nominal Size	Actual Size (d)	Norm	(L)	(h1)	(R)	(D2)	Weight (lbs.)	Part Number
2"	2.38	IPS	4.64	0.39	0.25	3.88	0.35	02-BFA-2611001
3"	3.50	IPS	4.91	0.41	0.25	5.00	0.71	02-BFA-2611002
4"	4.50	IPS	6.50	0.50	0.38	6.63	1.57	02-BFA-2611003
6"	6.62	IPS	7.53	0.78	0.38	8.50	3.73	02-BFA-2611004
8"	8.62	IPS	7.13	1.00	0.38	10.63	6.06	02-BFA-2611005
10"	10.75	IPS	7.41	1.28	0.38	12.75	9.72	02-BFA-2611006
12"	12.75	IPS	9.29	1.54	0.38	15.75	17.81	02-BFA-2611007
14"	14.00	IPS	9.38	1.63	0.50	17.38	22.01	02-BFA-2611008 *
16"	16.00	IPS	9.88	1.88	0.50	19.75	30.70	02-BFA-2611009 *
18"	18.00	IPS	10.13	2.00	0.50	21.13	37.59	02-BFA-2611010 *
20"	20.00	IPS	10.65	2.27	0.50	23.38	49.18	02-BFA-2611011 *
22"	22.00	IPS	11.13	2.50	0.50	25.50	62.05	02-BFA-2611012 *
24"	24.00	IPS	11.44	2.75	0.50	27.75	76.57	02-BFA-2611013 *
26"	26.00	IPS	13.13	3.00	0.50	30.00	101.90	02-BFA-2611014 *
28"	28.00	IPS	13.38	3.25	0.50	32.25	121.38	02-BFA-2611015 *
30"	30.00	IPS	13.75	3.50	0.50	34.25	142.55	02-BFA-2611016 *
32"	32.00	IPS	14.38	3.63	0.50	36.75	170.81	02-BFA-2611017 *
34"	34.00	IPS	14.76	3.88	0.50	38.50	195.00	02-BFA-2611018 *
36"	36.00	IPS	15.44	4.13	0.50	40.75	229.24	02-BFA-2611019 *
40"	40.00	IPS	17.13	4.50	0.50	45.13	311.41	02-BFA-2611020 *
42"	42.00	IPS	17.63	5.00	0.50	47.38	358.17	02-BFA-2611021 *
48"	48.00	IPS	18.38	5.50	0.75	53.75	582.28	02-BFA-2611022 *

## SDR 11 FLANGE ADAPTERS IPS/DIPS

Water - 200 PSI at 73° F Sustainable Maximum Operating Pressure

- Suitable for Water, Fluids & Slurries
- Engineered for PE100, PE80, PE4710, PE3408 HDPE Pipe Systems



Manufactured in accordance with: ASTM D3035-22, ASTM D3261-16, ASTM D3350-21, ASTM F2880-22, AWWA C901-20, AWWA C906-15 (for 2" - 3"), NSF / ANSI 61, and ISO-9001 Certified

Nominal Size	Actual Size (d)	Norm	(L)	(h1)	(R)	(D2)	Weight (lbs.)	Part Number
54"	54.00	IPS	26.26	6.13	0.75	60.00	835.70	02-BFA-2611023 *
63"	63.00	IPS	25.13	6.30	0.75	66.75	1014.28	02-BFA-2611024 *
4"	4.80	DIPS	6.56	0.56	0.44	6.63	1.76	02-BFA-2611025 *
6"	6.90	DIPS	7.53	0.78	0.44	8.50	3.94	02-BFA-2611026 *
8"	9.05	DIPS	7.19	1.06	0.44	10.63	6.48	02-BFA-2611027 *
10"	11.10	DIPS	7.38	1.25	0.44	12.75	9.92	02-BFA-2611028 *
12"	13.20	DIPS	9.25	1.50	0.44	15.75	18.24	02-BFA-2611029 *
14"	15.30	DIPS	9.50	1.75	0.44	17.38	24.20	02-BFA-2611030 *
16"	17.40	DIPS	10.00	2.00	0.44	19.75	33.29	02-BFA-2611031 *
18"	19.50	DIPS	10.38	2.25	0.44	21.13	41.33	02-BFA-2611032 *
20"	21.60	DIPS	10.88	2.50	0.44	23.38	53.41	02-BFA-2611033 *
24"	25.80	DIPS	11.69	3.00	0.50	27.75	82.01	02-BFA-2611034 *
30"	32.00	DIPS	13.88	3.63	0.50	34.25	148.79	02-BFA-2611035 *
36"	38.30	DIPS	15.81	4.50	0.50	40.75	242.49	02-BFA-2611036 *
42"	44.50	DIPS	17.63	5.00	0.50	47.38	365.30	02-BFA-2611037 *
48"	50.80	DIPS	16.63	5.81	0.75	53.75	446.79	02-BFA-2611038 *

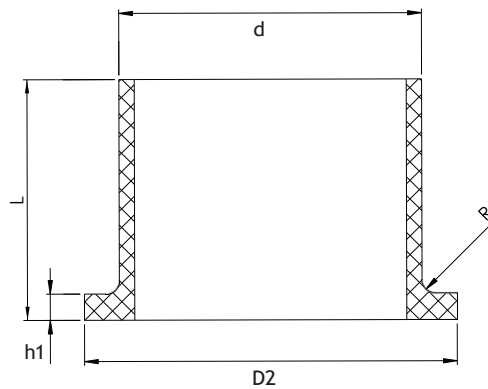
## SDR 17 FLANGE ADAPTERS IPS/DIPS

Water - 125 PSI at 73° F Sustainable Maximum Operating Pressure

- Suitable for Water, Fluids & Slurries
- Engineered for PE100, PE80, PE4710, PE3408 HDPE Pipe Systems



Manufactured in accordance with: ASTM D3035-22, ASTM D3261-16, ASTM D3350-21, ASTM F2880-22, AWWA C901-20, AWWA C906-15 (for 2" - 3"), NSF / ANSI 61, and ISO-9001 Certified



Nominal Size	Actual Size (d)	Norm	(L)	(h1)	(R)	(D2)	Weight (lbs.)	Part Number
2"	2.38	IPS	4.64	0.39	0.25	3.88	0.27	02-BFA-2611039
3"	3.50	IPS	4.89	0.39	0.25	5.00	0.52	02-BFA-2611040
4"	4.50	IPS	6.50	0.50	0.38	6.63	1.16	02-BFA-2611041
6"	6.62	IPS	7.53	0.78	0.38	8.50	2.71	02-BFA-2611042
8"	8.62	IPS	7.13	1.00	0.38	10.63	4.42	02-BFA-2611043
10"	10.75	IPS	7.41	1.28	0.38	12.75	7.08	02-BFA-2611044
12"	12.75	IPS	9.29	1.54	0.38	15.75	13.15	02-BFA-2611045
14"	14.00	IPS	9.38	1.63	0.50	17.38	16.33	02-BFA-2611046 *
16"	16.00	IPS	9.88	1.88	0.50	19.75	22.86	02-BFA-2611047 *
18"	18.00	IPS	10.13	2.00	0.50	21.13	27.44	02-BFA-2611048 *
20"	20.00	IPS	10.65	2.27	0.50	23.38	36.03	02-BFA-2611049 *
22"	22.00	IPS	11.13	2.50	0.50	25.50	45.40	02-BFA-2611050 *
24"	24.00	IPS	11.44	2.75	0.50	27.75	56.23	02-BFA-2611051 *
26"	26.00	IPS	12.63	2.50	0.50	30.00	69.31	02-BFA-2611052 *
28"	28.00	IPS	12.76	2.63	0.50	32.25	81.64	02-BFA-2611053 *
30"	30.00	IPS	13.00	2.75	0.50	34.25	94.59	02-BFA-2611054 *
32"	32.00	IPS	13.75	3.00	0.50	36.75	115.89	02-BFA-2611055 *
34"	34.00	IPS	13.88	3.00	0.50	38.50	128.37	02-BFA-2611056 *
36"	36.00	IPS	14.31	3.00	0.50	40.75	147.38	02-BFA-2611057 *
40"	40.00	IPS	15.63	3.00	0.50	45.13	193.83	02-BFA-2611058 *
42"	42.00	IPS	15.76	3.13	0.50	47.38	217.09	02-BFA-2611059 *

## SDR 17 FLANGE ADAPTERS IPS/DIPS

Water - 125 PSI at 73° F Sustainable Maximum Operating Pressure

- Suitable for Water, Fluids & Slurries
- Engineered for PE100, PE80, PE4710, PE3408 HDPE Pipe Systems



Manufactured in accordance with: ASTM D3035-22, ASTM D3261-16, ASTM D3350-21, ASTM F2880-22, AWWA C901-20, AWWA C906-15 (for 2" - 3"), NSF / ANSI 61, and ISO-9001 Certified

Nominal Size	Actual Size (d)	Norm	(L)	(h1)	(R)	(D2)	Weight (lbs.)	Part Number
48"	48.00	IPS	16.51	3.63	0.75	53.75	299.17	02-BFA-2611060 *
54"	54.00	IPS	24.13	4.00	0.75	60.00	521.02	02-BFA-2611061 *
63"	63.00	IPS	25.13	4.63	0.75	66.75	690.93	02-BFA-2611062 *
4"	4.80	DIPS	6.50	0.50	0.44	6.63	1.26	02-BFA-2611063 *
6"	6.90	DIPS	7.50	0.75	0.44	8.50	2.78	02-BFA-2611064 *
8"	9.05	DIPS	7.13	1.00	0.44	10.63	4.56	02-BFA-2611065 *
10"	11.10	DIPS	7.38	1.25	0.44	12.75	7.12	02-BFA-2611066 *
12"	13.20	DIPS	9.25	1.50	0.44	15.75	13.25	02-BFA-2611067 *
14"	15.30	DIPS	9.50	1.75	0.44	17.38	17.36	02-BFA-2611068 *
16"	17.40	DIPS	10.00	2.00	0.44	19.75	23.95	02-BFA-2611069 *
18"	19.50	DIPS	10.38	2.25	0.44	21.13	29.05	02-BFA-2611070 *
20"	21.60	DIPS	10.88	2.50	0.44	23.38	37.60	02-BFA-2611071 *
24"	25.80	DIPS	11.69	3.00	0.50	27.75	57.82	02-BFA-2611072 *
30"	32.00	DIPS	11.69	3.00	0.50	27.75	104.54	02-BFA-2611073 *
36"	38.30	DIPS	13.88	3.63	0.50	34.25	170.35	02-BFA-2611074 *
42"	44.50	DIPS	15.81	4.50	0.50	40.75	227.18	02-BFA-2611075 *
48"	50.80	DIPS	16.13	3.50	0.50	47.38	302.93	02-BFA-2611076 *

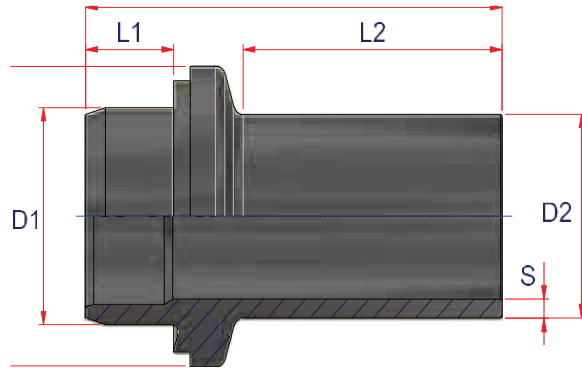
## SDR 9 MJ ADAPTERS DIPS/IPS

Water - 250 PSI at 73° F Sustainable Maximum Operating Pressure

- Suitable for Water, Fluids & Slurries
- Engineered for PE4710 HDPE Pipe Systems



Manufactured in accordance with: ASTM D3261, ASTM D2513, AWWA C-901-20, AWWA C-906-15, NSF / ANSI 61, and ISO-9001 Certified



Nominal Size	Actual Size (d1 x d2)	Norm	(L1)	(L2)	(S)	Weight (lbs.)	Part Number
3" DIPS x 3" IPS	3.96 x 3.50	DIPS x IPS	2.01	5.51	0.39	1.91	09-MJA-3701178
4" DIPS x 4" IPS	4.80 x 4.50	DIPS x IPS	2.21	6.51	0.50	3.18	09-MJA-3701179
6" DIPS x 6" IPS	6.90 x 6.62	DIPS x IPS	2.38	7.23	0.74	6.38	09-MJA-3701180
8" DIPS x 8" IPS	9.05 x 8.62	DIPS x IPS	2.38	7.66	0.96	12.10	09-MJA-3701181
10" DIPS x 10" IPS	11.10 x 10.75	DIPS x IPS	2.25	9.03	1.19	20.24	09-MJA-3701182
12" DIPS x 12" IPS	13.20 x 12.75	DIPS x IPS	1.73	8.52	1.42	28.60	09-MJA-3701183
14" DIPS x 14" IPS	15.30 x 14.00	DIPS x IPS	2.13	7.34	1.55	35.20	09-MJA-3701184 *
16" DIPS x 16" IPS	17.40 x 16.00	DIPS x IPS	1.73	7.44	1.77	47.52	09-MJA-3701185 *
18" DIPS x 18" IPS	19.45 x 17.92	DIPS x IPS	1.73	8.35	2.00	TBA	09-MJA-3701186 *
20" DIPS x 20" IPS	21.55 x 19.92	DIPS x IPS	2.36	8.33	2.22	TBA	09-MJA-3701187 *
24" DIPS x 24" IPS	25.74 x 23.89	DIPS x IPS	2.36	8.33	2.66	TBA	09-MJA-3701188 *

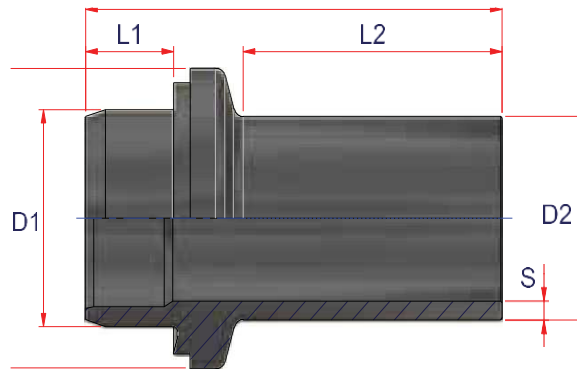
## SDR 9 MJ ADAPTERS DIPS/DIPS

Water - 250 PSI at 73° F Sustainable Maximum Operating Pressure

- Suitable for Water, Fluids & Slurries
- Engineered for PE4710 HDPE Pipe Systems



Manufactured in accordance with: ASTM D3261, ASTM D2513, AWWA C-901-20, AWWA C-906-15, NSF / ANSI 61, and ISO-9001 Certified



Nominal Size	Actual Size (d1 x d2)	Norm	(L1)	(L2)	(S)	Weight (lbs.)	Part Number
3" DIPS x 3" DIPS	3.96 x 3.50	DIPS x DIPS	2.01	5.51	0.39	1.91	09-MJA-3701169
4" DIPS x 4" DIPS	4.80 x 4.50	DIPS x DIPS	2.21	6.51	0.50	3.18	09-MJA-3701170
6" DIPS x 6" DIPS	6.90 x 6.62	DIPS x DIPS	2.38	7.23	0.74	6.38	09-MJA-3701171
8" DIPS x 8" DIPS	9.05 x 8.62	DIPS x DIPS	2.38	7.66	0.96	12.10	09-MJA-3701172
10" DIPS x 10" DIPS	11.10 x 10.75	DIPS x DIPS	2.25	9.03	1.19	20.24	09-MJA-3701173
12" DIPS x 12" DIPS	13.20 x 12.75	DIPS x DIPS	1.73	8.52	1.42	28.60	09-MJA-3701174
14" DIPS x 14" DIPS	15.30 x 15.30	DIPS x DIPS	1.73	7.39	1.47	36.08	09-MJA-3701175 *
16" DIPS x 16" DIPS	17.40 x 17.40	DIPS x DIPS	1.73	8.33	1.70	49.06	09-MJA-3701176 *
18" DIPS x 18" DIPS	19.41 x 19.41	DIPS x DIPS	1.73	8.33	2.17	TBA	09-MJA-3701177 *
20" DIPS x 20" DIPS	21.50 x 21.50	DIPS x DIPS	1.73	8.33	2.40	TBA	09-MJA-3701191 *
24" DIPS x 24" DIPS	25.79 x 25.79	DIPS x DIPS	2.36	8.33	2.87	TBA	09-MJA-3701153 *

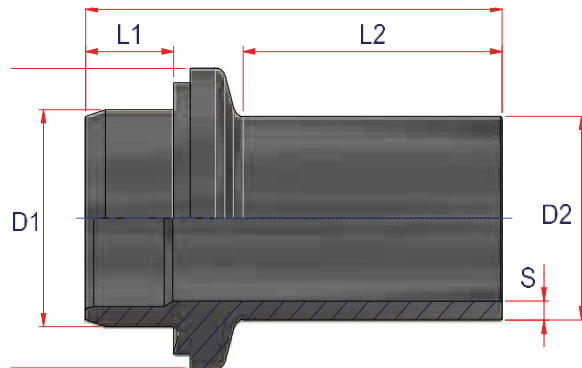
## SDR 11 MJ ADAPTERS DIPS/IPS

Water - 200 PSI at 73° F Sustainable Maximum Operating Pressure

- Suitable for Water, Fluids & Slurries
- Engineered for PE4710 HDPE Pipe Systems



Manufactured in accordance with: ASTM D3261, ASTM D2513, AWWA C-901-20, AWWA C-906-15, NSF / ANSI 61, and ISO-9001 Certified



Nominal Size	Actual Size (d1 x d2)	Norm	(L1)	(L2)	(S)	Weight (lbs.)	Part Number
2" DIPS x 2" IPS	2.51 x 2.37	DIPS x IPS	1.93	5.07	0.21	0.68	09-MJA-3701149
3" DIPS x 3" IPS	3.96 x 3.50	DIPS x IPS	2.01	5.51	0.39	1.65	09-MJA-3701158
4" DIPS x 4" IPS	4.80 x 4.50	DIPS x IPS	2.21	6.51	0.50	2.81	09-MJA-3701159
6" DIPS x 6" IPS	6.90 x 6.62	DIPS x IPS	2.38	7.23	0.74	5.86	09-MJA-3701160
8" DIPS x 8" IPS	9.05 x 8.62	DIPS x IPS	2.38	7.66	0.96	9.90	09-MJA-3701161
10" DIPS x 10" IPS	11.10 x 10.75	DIPS x IPS	2.25	9.03	1.19	17.38	09-MJA-3701162
12" DIPS x 12" IPS	13.20 x 12.75	DIPS x IPS	1.73	8.52	1.42	23.54	09-MJA-3701163
14" DIPS x 14" IPS	15.30 x 14.00	DIPS x IPS	1.73	7.28	1.27	26.18	09-MJA-3701164 *
16" DIPS x 16" IPS	17.40 x 16.00	DIPS x IPS	1.73	7.35	1.45	35.86	09-MJA-3701165 *
18" DIPS x 18" IPS	19.45 x 17.92	DIPS x IPS	1.73	8.33	1.64	TBA	09-MJA-3701166 *
20" DIPS x 20" IPS	21.55 x 19.92	DIPS x IPS	1.73	8.33	1.82	TBA	09-MJA-3701167 *
24" DIPS x 24" IPS	25.74 x 23.89	DIPS x IPS	1.73	8.33	2.18	94.60	09-MJA-3701168 *

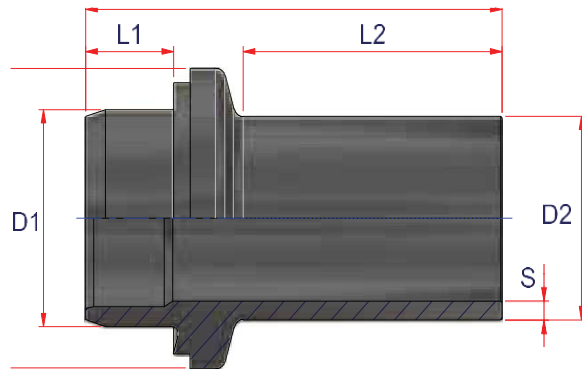
## SDR 11 MJ ADAPTERS DIPS/DIPS

Water - 200 PSI at 73° F Sustainable Maximum Operating Pressure

- Suitable for Water, Fluids & Slurries
- Engineered for PE4710 HDPE Pipe Systems



Manufactured in accordance with: ASTM D3261, ASTM D2513, AWWA C-901-20, AWWA C-906-15, NSF / ANSI 61, and ISO-9001 Certified



Nominal Size	Actual Size (d1 x d2)	Norm	(L1)	(L2)	(S)	Weight (lbs.)	Part Number
3" DIPS x 3" DIPS	3.96 x 3.96	DIPS x DIPS	2.01	5.51	0.39	TBA	09-MJA-3701190
4" DIPS x 4" DIPS	4.80 x 4.80	DIPS x DIPS	2.21	6.51	0.43	2.86	09-MJA-3701144
6" DIPS x 6" DIPS	6.90 x 6.90	DIPS x DIPS	2.38	7.23	0.62	5.86	09-MJA-3701150
8" DIPS x 8" DIPS	9.05 x 9.05	DIPS x DIPS	2.38	7.66	0.82	10.34	09-MJA-3701151
10" DIPS x 10" DIPS	11.10 x 11.10	DIPS x DIPS	2.25	9.03	1.00	17.82	09-MJA-3701155
12" DIPS x 12" DIPS	13.20 x 13.20	DIPS x DIPS	1.73	8.52	1.20	24.20	09-MJA-3701152
14" DIPS x 14" DIPS	15.30 x 15.30	DIPS x DIPS	1.73	7.39	1.39	27.50	09-MJA-3701192 *
16" DIPS x 16" DIPS	17.40 x 17.40	DIPS x DIPS	1.73	7.40	1.58	37.84	09-MJA-3701156 *
18" DIPS x 18" DIPS	19.45 x 19.45	DIPS x DIPS	1.73	8.33	1.77	TBA	09-MJA-3701157 *
20" DIPS x 20" DIPS	21.59 x 21.59	DIPS x DIPS	1.73	8.33	1.96	TBA	09-MJA-3701148 *
24" DIPS x 24" DIPS	25.74 x 25.74	DIPS x DIPS	2.36	8.33	2.34	TBA	09-MJA-3701154 *

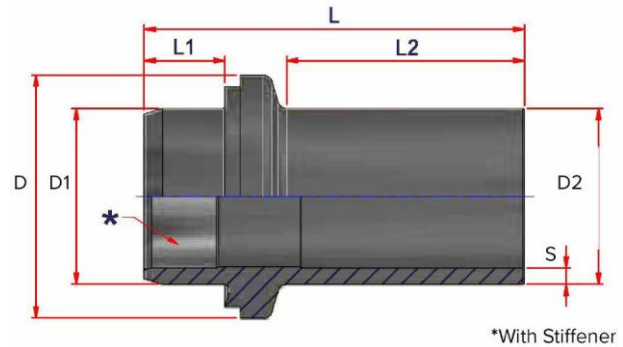
## SDR 9 MJ ADAPTERS DIPS/IPS

Water - 250 PSI at 73° F Sustainable Maximum Operating Pressure

- Suitable for Water, Fluids & Slurries
- Engineered for PE4710 HDPE Pipe Systems



Manufactured in accordance with: ASTM D3261, ASTM D2513, AWWA C-901-20, AWWA C-906-15, NSF / ANSI 61, and ISO-9001 Certified



Nominal Size	Actual Size (d1 x d2)	Norm	(L1)	(L2)	(S)	Weight (lbs.)	Part Number
3" DIPS x 3" IPS	3.96 x 3.50	DIPS x IPS	2.01	5.51	0.39	TBA	09-MJA-3701126
4" DIPS x 4" IPS	4.80 x 4.50	DIPS x IPS	2.21	6.51	0.50	3.08	09-MJA-3701189
6" DIPS x 6" IPS	6.90 x 6.62	DIPS x IPS	2.38	7.23	0.74	6.38	09-MJA-3701127
8" DIPS x 8" IPS	9.05 x 8.62	DIPS x IPS	2.38	7.66	0.96	12.10	09-MJA-3701128
10" DIPS x 10" IPS	11.10 x 10.75	DIPS x IPS	2.25	9.03	1.19	20.24	09-MJA-3701132
12" DIPS x 12" IPS	13.20 x 12.75	DIPS x IPS	1.73	8.52	1.42	28.60	09-MJA-3701145
14" DIPS x 14" IPS	15.30 x 14.00	DIPS x IPS	2.13	7.34	1.55	35.20	09-MJA-3701133 *
16" DIPS x 16" IPS	17.40 x 16.00	DIPS x IPS	1.73	7.44	1.77	47.52	09-MJA-3701136 *
18" DIPS x 18" IPS	19.45 x 17.92	DIPS x IPS	1.73	8.35	2.00	TBA	09-MJA-3701137 *
20" DIPS x 20" IPS	21.55 x 19.92	DIPS x IPS	2.36	8.33	2.22	TBA	09-MJA-3701138 *
24" DIPS x 24" IPS	25.74 x 23.89	DIPS x IPS	2.36	8.33	2.66	TBA	09-MJA-3701141 *

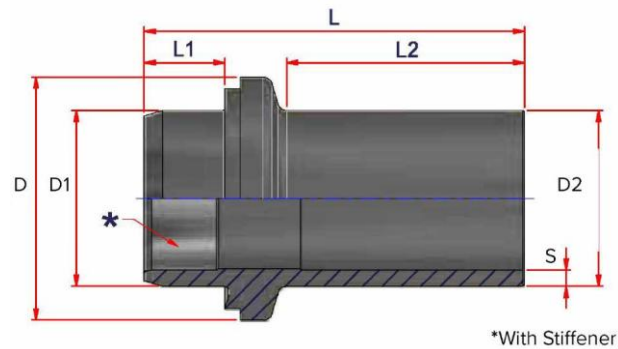
## SDR 9 MJ ADAPTERS DIPS/DIPS

Water - 250 PSI at 73° F Sustainable Maximum Operating Pressure

- Suitable for Water, Fluids & Slurries
- Engineered for PE4710 HDPE Pipe Systems



Manufactured in accordance with: ASTM D3261, ASTM D2513, AWWA C-901-20, AWWA C-906-15, NSF / ANSI 61, and ISO-9001 Certified



Nominal Size	Actual Size (d1 x d2)	Norm	(L1)	(L2)	(S)	Weight (lbs.)	Part Number
3" DIPS x 3" DIPS	3.96 x 3.96	DIPS x DIPS	2.01	5.51	0.39	1.91	09-MJA-3701143
4" DIPS x 4" DIPS	4.80 x 4.80	DIPS x DIPS	2.21	6.51	0.50	3.18	09-MJA-3701131
6" DIPS x 6" DIPS	6.90 x 6.90	DIPS x DIPS	2.38	7.23	0.74	6.38	09-MJA-3701130
8" DIPS x 8" DIPS	9.05 x 9.05	DIPS x DIPS	2.38	7.66	0.96	12.10	09-MJA-3701146
10" DIPS x 10" DIPS	11.10 x 11.10	DIPS x DIPS	2.25	9.03	1.19	20.24	09-MJA-3701129
12" DIPS x 12" DIPS	13.20 x 13.20	DIPS x DIPS	1.73	8.52	1.42	28.60	09-MJA-3701134
14" DIPS x 14" DIPS	15.30 x 15.30	DIPS x DIPS	1.73	7.39	1.47	36.08	09-MJA-3701135 *
16" DIPS x 16" DIPS	17.40 x 17.40	DIPS x DIPS	1.73	8.33	1.70	49.06	09-MJA-3701147 *
18" DIPS x 18" DIPS	19.41 x 19.41	DIPS x DIPS	1.73	8.33	2.17	TBA	09-MJA-3701120 *
20" DIPS x 20" DIPS	21.50 x 21.50	DIPS x DIPS	1.73	8.33	2.40	TBA	09-MJA-3701140 *
24" DIPS x 24" DIPS	25.79 x 25.79	DIPS x DIPS	2.36	8.33	2.87	TBA	09-MJA-3701142 *

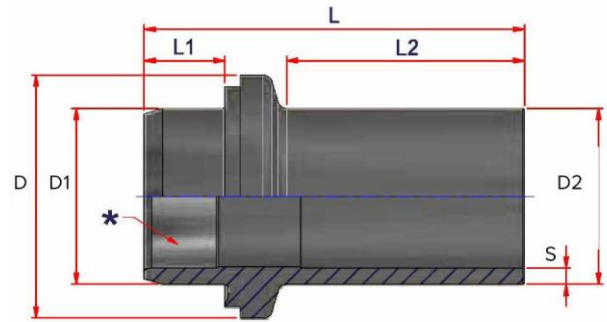
## SDR 11 MJ ADAPTERS DIPS/IPS

Water - 200 PSI at 73° F Sustainable Maximum Operating Pressure

- Suitable for Water, Fluids & Slurries
- Engineered for PE4710 HDPE Pipe Systems



Manufactured in accordance with: ASTM D3261, ASTM D2513, AWWA C-901-20, AWWA C-906-15, NSF / ANSI 61, and ISO-9001 Certified



\*With Stiffener

Nominal Size	Actual Size (d1 x d2)	Norm	(L1)	(L2)	(S)	Weight (lbs.)	Part Number
2" DIPS x 2" IPS	2.51 x 2.37	DIPS x IPS	1.93	5.07	0.21	0.68	09-MJA-3701101
3" DIPS x 3" IPS	3.96 x 3.50	DIPS x IPS	2.01	5.51	0.31	TBA	09-MJA-3701102
4" DIPS x 4" IPS	4.80 x 4.50	DIPS x IPS	2.21	6.51	0.40	2.64	09-MJA-3701103
6" DIPS x 6" IPS	6.90 x 6.62	DIPS x IPS	2.38	7.23	0.60	5.50	09-MJA-3701104
8" DIPS x 8" IPS	9.05 x 8.62	DIPS x IPS	2.38	7.66	0.78	9.90	09-MJA-3701105
10" DIPS x 10" IPS	11.10 x 10.75	DIPS x IPS	2.25	9.03	0.97	17.30	09-MJA-3701106
12" DIPS x 12" IPS	13.20 x 12.75	DIPS x IPS	1.73	8.52	1.15	23.54	09-MJA-3701107
14" DIPS x 14" IPS	15.30 x 14.00	DIPS x IPS	1.73	7.28	1.27	26.18	09-MJA-3701108 *
16" DIPS x 16" IPS	17.40 x 16.00	DIPS x IPS	1.73	7.35	1.45	35.86	09-MJA-3701109 *
18" DIPS x 18" IPS	19.45 x 17.92	DIPS x IPS	1.73	8.33	1.63	TBA	09-MJA-3701123 *
20" DIPS x 20" IPS	21.55 x 19.92	DIPS x IPS	1.73	8.33	1.81	TBA	09-MJA-3701124 *
24" DIPS x 24" IPS	25.74 x 23.89	DIPS x IPS	1.73	8.33	2.18	TBA	09-MJA-3701125 *

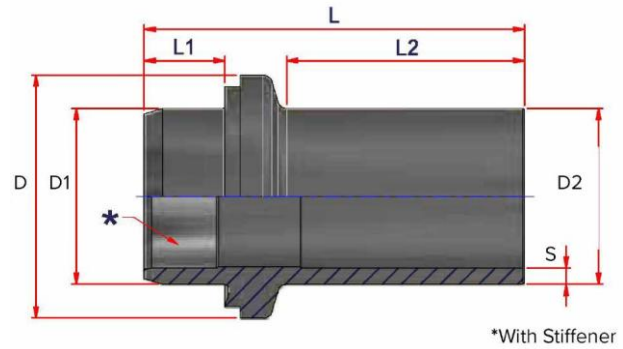
## SDR 11 MJ ADAPTERS DIPS/DIPS

Water - 200 PSI at 73° F Sustainable Maximum Operating Pressure

- Suitable for Water, Fluids & Slurries
- Engineered for PE4710 HDPE Pipe Systems



Manufactured in accordance with: ASTM D3261, ASTM D2513, AWWA C-901-20, AWWA C-906-15, NSF / ANSI 61, and ISO-9001 Certified



Nominal Size	Actual Size (d1 x d2)	Norm	(L1)	(L2)	(S)	Weight (lbs.)	Part Number
3" DIPS x 3" DIPS	3.96 x 3.96	DIPS x DIPS	2.01	5.57	3.96	TBA	09-MJA-3701111
4" DIPS x 4" DIPS	4.80 x 4.80	DIPS x DIPS	2.21	6.51	0.44	2.86	09-MJA-3701112
6" DIPS x 6" DIPS	6.90 x 6.90	DIPS x DIPS	2.38	7.23	0.63	5.94	09-MJA-3701113
8" DIPS x 8" DIPS	9.05 x 9.05	DIPS x DIPS	2.38	7.66	0.82	10.34	09-MJA-3701114
10" DIPS x 10" DIPS	11.10 x 11.10	DIPS x DIPS	2.25	9.03	1.00	17.80	09-MJA-3701115
12" DIPS x 12" DIPS	13.20 x 13.20	DIPS x DIPS	1.73	8.52	1.20	24.20	09-MJA-3701116
14" DIPS x 14" DIPS	15.30 x 15.30	DIPS x DIPS	1.73	7.39	1.39	27.50	09-MJA-3701117 *
16" DIPS x 16" DIPS	17.40 x 17.40	DIPS x DIPS	1.73	7.40	1.58	37.84	09-MJA-3701118 *
18" DIPS x 18" DIPS	19.45 x 19.41	DIPS x DIPS	1.73	8.33	1.77	TBA	09-MJA-3701119 *
20" DIPS x 20" DIPS	21.59 x 21.51	DIPS x DIPS	1.73	8.33	1.96	TBA	09-MJA-3701121 *
24" DIPS x 24" DIPS	25.74 x 25.68	DIPS x DIPS	2.36	8.33	2.34	TBA	09-MJA-3701122 *

## C110 MJ Adapter Accessory Set



Nominal Size	Holes (no.)	Bolts & Nuts Size	Torque	Part Number
4"	4	3/4 x3 - 1/2	75-90	09-MJA-3705104
6"	6	3/4 x3 - 1/2	75-90	09-MJA-3705102
8"	6	3/4 x4	75-90	09-MJA-3705103
10"	8	3/4 x4	75-90	09-MJA-3705105
12"	8	3/4 x4	75-90	09-MJA-3705110
14"	10	3/4 x4 - 1/2	75-90	09-MJA-3705111
16"	12	3/4 x4 - 1/2	75-90	09-MJA-3705112
18"	12	3/4 x4 - 1/2	75-90	09-MJA-3705109
20"	14	3/4 x4 - 1/2	75-90	09-MJA-3705115
24"	16	3/4 x5	75-90	09-MJA-3705113

## C153 MJ Adapter Accessory Set



Nominal Size	Holes (no.)	Bolts & Nuts Size	Torque	Part Number
2"	TBA	TBA	TBA	09-MJA-3705000
3"	4	3/4 x3 - 1/2	75-90	09-MJA-3705001
4"	4	3/4 x3 - 1/2	75-90	09-MJA-3705002
6"	6	3/4 x3 - 1/2	75-90	09-MJA-3705003
8"	6	3/4 x4	75-90	09-MJA-3705004
10"	8	3/4 x4	75-90	09-MJA-3705005
12"	8	3/4 x4	75-90	09-MJA-3705006
14"	10	3/4 x4 - 1/2	75-90	09-MJA-3705007
16"	12	3/4 x4 - 1/2	75-90	09-MJA-3705008
18"	12	3/4 x4 - 1/2	75-90	09-MJA-3705009
20"	14	3/4 x4 - 1/2	75-90	09-MJA-3705010
24"	16	3/4 x5	75-90	09-MJA-3705015

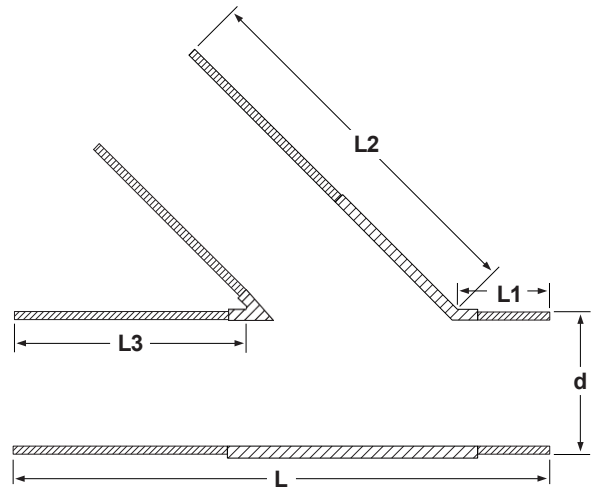
## SDR 11 LATERAL WYES

Water - 200 PSI at 73° F Sustainable Maximum Operating Pressure

- Suitable for Water, Fluids & Slurries
- Engineered for PE100, PE80, PE4710, PE3408 HDPE Pipe Systems



Manufactured in accordance with: ASTM D3350-21, ASTM D3261-16, AWWA C906-15, NSF/ANSI/CAN 61-2022, and ISO-9001 Certified



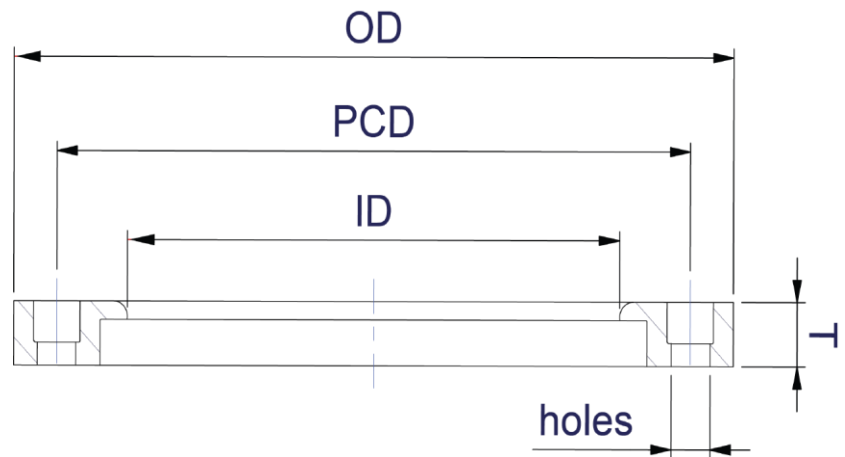
Nominal Size	Actual Size (d)	L1	L2	L3	(L)	Weight (lbs.)	Part Number
2"	2.38	6.14	12.87	11.97	22.40	2.20	04-BWY-2604001
3"	3.50	6.69	14.33	10.79	22.99	4.60	04-BWY-2604002
4"	4.50	6.18	17.13	13.15	26.50	8.60	04-BWY-2604003
6"	6.63	6.89	25.39	18.66	35.71	25.80	04-BWY-2604004
8"	8.63	7.64	27.64	18.15	38.78	47.00	04-BWY-2604005
10"	10.75	8.35	30.43	19.02	43.31	80.90	04-BWY-2604006
12"	12.75	8.35	32.84	18.90	47.24	119.90	04-BWY-2604007

## BACK-UP RINGS

- Epoxy coated ductile iron
- ANSI/ASA CLASS 150# bolt pattern
- Engineered for HDPE Pipe Systems



The full range meets international and domestic standards, including ASTM, AWWA, and NSF.



Nominal Size	SDR	Norm	ANSI 150# Hole Pattern	OD	ID	PCD	(T)	Holes	No. of Holes	FM	Part Number
2"	7	IPS	2"	6.00	2.46	4.75	0.75	0.75	4	290 PSI	09-BUR-3205200
3"	7	IPS	3"	8.00	3.60	6.00	0.94	0.75	4	290 PSI	09-BUR-3205208
4"	7	IPS	4"	9.00	4.60	7.50	0.94	0.75	8	290 PSI	09-BUR-3205225
6"	7	IPS	6"	11.00	6.75	9.50	1.00	0.88	8	290 PSI	09-BUR-3205243
8"	7	IPS	8"	13.50	8.75	11.75	1.13	0.88	8	290 PSI	09-BUR-3205261
10"	7	IPS	10"	16.00	10.92	14.25	1.19	1.00	12	290 PSI	09-BUR-3205279
12"	7	IPS	12"	19.00	12.92	17.00	1.40	1.00	12	290 PSI	09-BUR-3205297
14"	7	IPS	14"	21.00	14.18	18.75	1.63	1.13	12	290 PSI	09-BUR-3205306*
16"	7	IPS	16"	23.50	16.19	21.25	1.80	1.13	16	335 PSI	09-BUR-3205309*
18"	7	IPS	18"	25.00	18.38	22.75	1.80	1.13	16	335 PSI	09-BUR-3205310*
20"	7	IPS	20"	27.50	20.38	25.00	2.13	1.25	20	335 PSI	09-BUR-3205325*
22"	7	IPS	22"	29.50	22.38	27.25	2.30	1.38	20	200 PSI	09-BUR-3205327*
4"	7	DIPS	4"	9.00	4.90	7.50	0.94	0.75	8	290 PSI	09-BUR-3205218
6"	7	DIPS	6"	11.00	7.00	9.50	1.00	0.88	8	290 PSI	09-BUR-3205234
8"	7	DIPS	8"	14.00	9.13	11.75	1.13	0.88	8	290 PSI	09-BUR-3205252
10"	7	DIPS	10"	16.00	11.25	14.25	1.19	1.00	12	290 PSI	09-BUR-3205270
12"	7	DIPS	12"	19.00	13.37	17.00	1.40	1.00	12	290 PSI	09-BUR-3205288
14"	7	DIPS	14"	21.00	15.48	18.75	1.63	1.13	12	290 PSI	09-BUR-3205272*
16"	7	DIPS	16"	23.50	17.59	21.25	1.80	1.13	16	290 PSI	09-BUR-3205337*
18"	7	DIPS	18"	25.00	19.70	22.75	1.80	1.25	16	290 PSI	09-BUR-3205339*

20"	7	DIPS	20"	27.50	21.85	25.00	2.13	1.25	20	290 PSI	09-BUR-3205324 *
24"	7	DIPS	24"	32.00	26.05	29.50	2.50	1.38	20	290 PSI	09-BUR-3205340 *
4"	11	IPS	4"	9.00	4.75	7.50	0.58	0.75	8	200 PSI	09-BUR-3205226

## BACK-UP RINGS

- Epoxy coated ductile iron
- ANSI/ASA CLASS 150# bolt pattern
- Engineered for HDPE Pipe Systems



The full range meets international and domestic standards, including ASTM, AWWA, and NSF.

Nominal Size	SDR	Norm	ANSI 150# Hole Pattern	OD	ID	PCD	(T)	Holes	No. of Holes	FM	Part Number
6"	11	IPS	6"	11.00	6.88	9.50	0.63	0.88	8	200 PSI	09-BUR-3205244
8"	11	IPS	8"	13.50	8.88	11.75	0.88	0.88	8	200 PSI	09-BUR-3205262
10"	11	IPS	10"	16.00	11.00	14.25	1.00	1.00	12	200 PSI	09-BUR-3205280
12"	11	IPS	12"	19.00	13.13	17.00	1.25	1.00	12	200 PSI	09-BUR-3205298
14"	11	IPS	14"	21.00	14.38	18.75	1.38	1.13	12	200 PSI	09-BUR-3205307
16"	11	IPS	16"	23.50	16.38	21.25	1.67	1.13	16	200 PSI	09-BUR-3205308 *
18"	11	IPS	18"	25.00	18.38	22.75	1.69	1.25	16	200 PSI	09-BUR-3205311 *
20"	11	IPS	20"	27.50	20.38	25.00	1.81	1.25	20	200 PSI	09-BUR-3205312 *
22"	11	IPS	22"	29.50	22.38	27.50	2.00	1.38	20	200 PSI	09-BUR-3205340 *
24"	11	IPS	24"	32.00	24.38	29.50	2.13	1.38	20	200 PSI	09-BUR-3205335 *

## STANDARDS & CERTS REFERENCE CHART

ASTM - AWWA - NSF - ISO

Logo	Standard Number	Standard Title	Link to Website
	ASTM D2513-20	Standard Specification for Polyethylene (PE) Gas Pressure Pipe, Tubing, and Fittings	<a href="https://www.astm.org/d2513-20.html">https://www.astm.org/d2513-20.html</a>
	ASTM D-3035-22	Standard Specification for Polyethylene (PE) Plastic Pipe (DR-PR) Based on Controlled Outside Diameter	<a href="https://www.astm.org/d3035-22.html">https://www.astm.org/d3035-22.html</a>
	ASTM D-3261-16	Standard Specification for Butt Heat Fusion Polyethylene (PE) Plastic Fittings for Polyethylene (PE) Plastic Pipe and Tubing	<a href="https://www.astm.org/d3261-16.html">https://www.astm.org/d3261-16.html</a>
	ASTM D-3350-21	Standard Specification for Polyethylene Plastics Pipe and Fittings Materials	<a href="https://www.astm.org/d3350-21.html">https://www.astm.org/d3350-21.html</a>
	AWWA C901-20	Polyethylene (PE) Pressure Pipe and Tubing, 1/2 in. (13 mm) Through 3 in. (76 mm), for Water Service	<a href="https://engage.awwa.org/PersonifyEbusiness/Bookstore/Product-Details/productId/86488411">https://engage.awwa.org/PersonifyEbusiness/Bookstore/Product-Details/productId/86488411</a>
	AWWA C906-15	Polyethylene (PE) Pressure Pipe and Fittings, 4 in. Through 65 in. (100 mm Through 1,650 mm), for Waterworks	<a href="https://engage.awwa.org/PersonifyEbusiness/Bookstore/Product-Details/productId/29417">https://engage.awwa.org/PersonifyEbusiness/Bookstore/Product-Details/productId/29417</a>
	NSF/ANSI/ CAN 61-2022	NSF/ANSI 61 - Drinking Water System Components - Health Effects	<a href="https://webstore.ansi.org/standards/nsf/nsfansi6120226002021?source=blog&amp;gl=1*28bcov*_gcl_au*MTY4MjI1NjQwMy4xNjkxMTY4NjA2">https://webstore.ansi.org/standards/nsf/nsfansi6120226002021?source=blog&amp;gl=1*28bcov*_gcl_au*MTY4MjI1NjQwMy4xNjkxMTY4NjA2</a>
	ISO-9001 Certified	International Organization for Standardization - Quality Management Systems - Requirements	<a href="https://knowledge.bsigroup.com/products/quality-management-systems-requirements-1/tracked-changes">https://knowledge.bsigroup.com/products/quality-management-systems-requirements-1/tracked-changes</a>

**ENGINEERED PIPE GROUP**

17 WURTZ AVE.  
SASKATOON, SK. S7K 3J4  
CANADA

T: (306) 931-2900  
E: [hdpesales@hdpe.ca](mailto:hdpesales@hdpe.ca)  
W: [www.hdpe.ca](http://www.hdpe.ca)



To learn more about how EPG and Strongbridge can help, contact us by phone, email or visit our website to check out our products and services.

**STRONGBRIDGE**



**Strongbridge International LLC**

Jacksonville, FL  
T: (904) 278-7499  
E: [contact@strongbridge.us](mailto:contact@strongbridge.us)

**[www.strongbridge.us](http://www.strongbridge.us)**

Strongbridge International LLC is not responsible for error or omissions in the content of this document. The information in this document is for reference purposes only and is not to be relied upon or substitute engineering documentation. All information is provided "as is", with no guarantee of completeness or accuracy and is subject to change without notice.