

# MEGAMc<sup>®</sup> PIPE STANDS

Job Site Productivity for 8" to 36" (225mm to 900mm) and 36" to 65" (900mm to 1600mm)



## OVERVIEW

Most job sites require heavy machinery to lift and hold a length of pipe in place for large-diameter fusion projects. To free up some of the heavy machinery's time and save money, the new self-contained, gasoline-powered MegaMc<sup>®</sup> Pipe Stands help align the pipe with the fusion machine, and then hold the pipe at the proper height.

The Pipe Stand doesn't burn through gasoline either. Simply start the engine to adjust the pipe up to 24" laterally and 34" vertically, then turn the HPU off and the height you determine locks in place. Since the unit is self-contained, there are no hydraulic hoses running across the site. Rugged rollers with low-friction pillow block bearings allow the pipe to move easily through the rollers.

Two models are available for use on most medium and large diameter job sites, with a smaller unit that works with 8" to 36" pipe. A larger unit handles pipe from 36" to 65".

## FEATURES

- Four models accommodate pipe sizes from 8" to 65" (225mm - 1600mm)
- Self-contained HPU means no hydraulic hoses are running across the job site.
- 5.5 Horsepower
- Adjustable while fully loaded, up to 24" laterally and 34" vertically
- Height locks in place, even with HPU turned off
- Features rugged 6.625" diameter rollers with low-friction pillow block bearings
- Wide base for stability
- Can be picked up by forklift or crane, also stackable

## SPECIFICATIONS

### MODELS

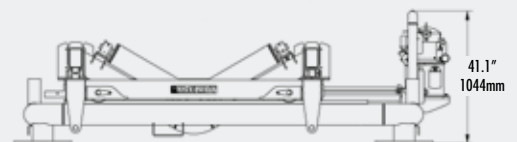
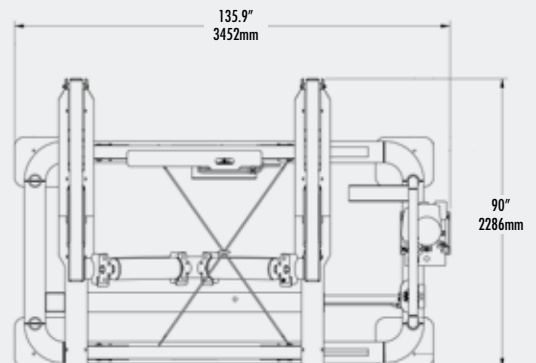
3645001:	8" to 36" (225mm to 900mm)	Gasoline
3645002:	8" to 36" (225mm to 900mm)	Diesel
6513501:	36" to 65" (900mm to 1600mm)	Gasoline
6513502:	36" to 65" (900mm to 1600mm)	Diesel

### MAXIMUM CAPACITY

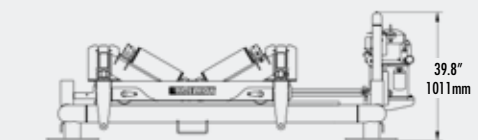
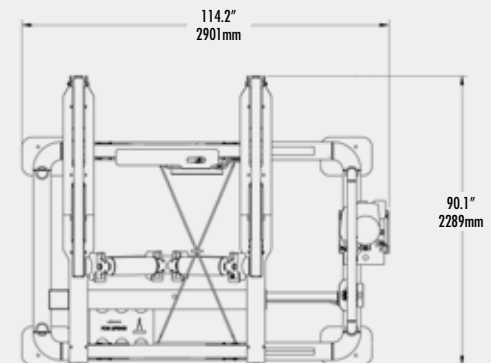
8" to 36" (225mm to 900mm) Pipe Stand:	9,000 lbs. (4,082 Kg)
36" to 65" (900mm to 1600mm) Pipe Stand:	16,000 lbs. (7,257 Kg)

### WEIGHT

8" to 36" (225mm to 900mm) Pipe Stand:	2,160 lbs. (980 Kg)
36" to 65" (900mm to 1600mm) Pipe Stand:	3,025 lbs. (1,372 Kg)



**36" - 65" MegaMc Pipe Stand**



**8" - 36" MegaMc Pipe Stand**

### INCLUSIONS

Specifications are subject to change without notice.

